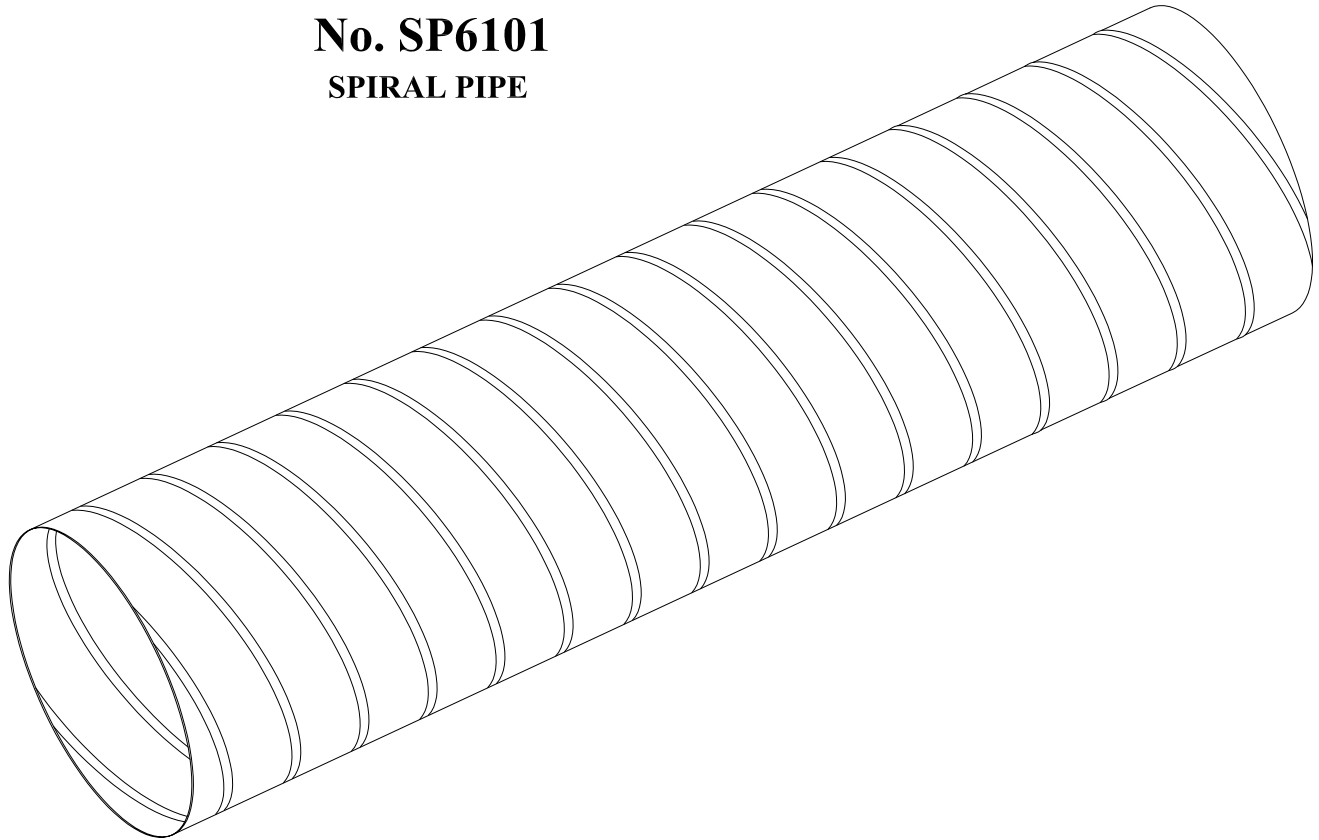


No. SP6101
SPIRAL PIPE



 **PIPE STEEL GAUGES:**

4" THRU 14" DIAMETER = 26 GAUGE
16" THRU 26" DIAMETER = 24 GAUGE
28" THRU 36" DIAMETER = 22 GAUGE
38" DIAMETER = 20 GAUGE

 **MATERIAL:**

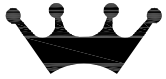
GALVANIZED STEEL PER ASTM A653, CS TYPE B.
GALVANNEALED STEEL (PAINTABLE) PER ASTM A653. COATING DESIGNATION A40.

 **PIPE CONSTRUCTION:**

SPIRAL LOCK SEAM SMACNA RL - 1.
10 FT. JOINTS STANDARD.
CUT TO LENGTH JOINTS AVAILABLE UPON REQUEST.

 **JOINT CONNECTIONS:**

PIPE-TO-PIPE CONNECTION MADE WITH A PIPE COUPLING.
FITTING-TO-PIPE CONNECTION MADE BY INSERTING FITTING INTO PIPE.



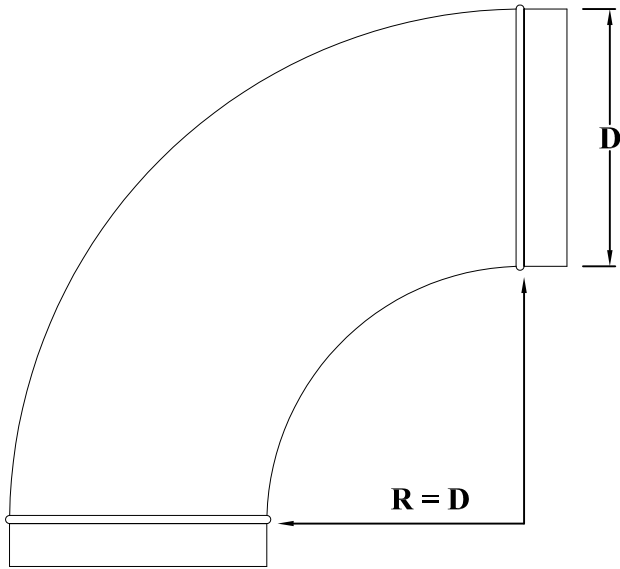
CROWN
PRODUCTS COMPANY, INC.

Commercial Duct Division
3545 New Kings Road
Jacksonville, FL 32209
Phone 800-818-7144
Fax 904-924-0841

SPECIFICATION DATA SHEET
SPIRAL DUCT FITTINGS

Spec Sheet 2 of 4

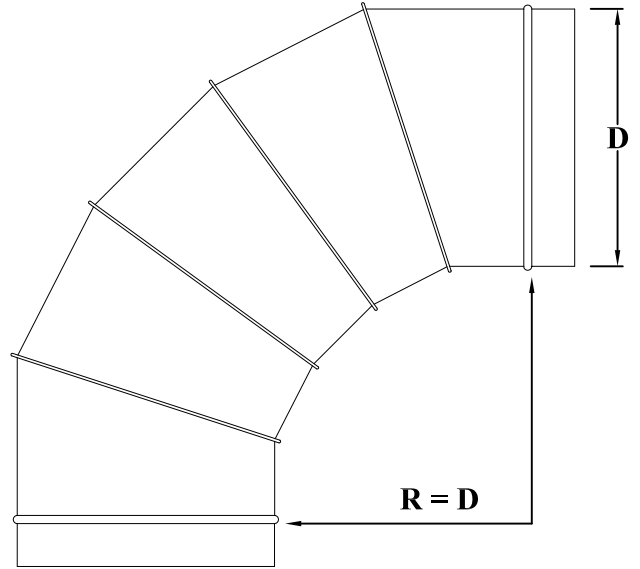
No. SP6111



90° DIE STAMPED ELBOW
SIZES 4"Ø THRU 12"Ø

4" THRU 12" DIAMETER = 24 GAUGE GALVANIZED STEEL

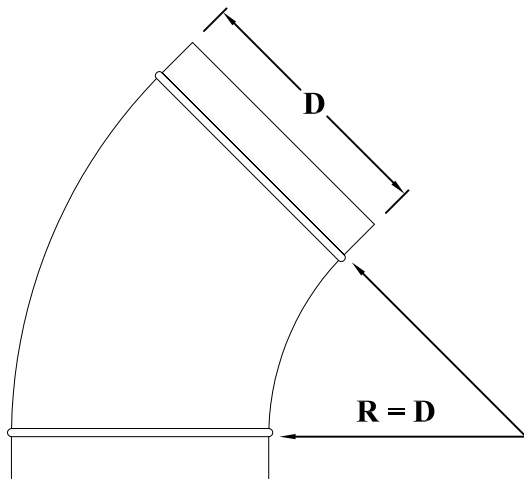
No. SP6111



90° 5-PIECE GORELOCK ELBOW
SIZES 14"Ø THRU 38"Ø

14" DIAMETER = 24 GAUGE GALVANIZED STEEL
16" THRU 26" DIAMETER = 22 GAUGE GALVANIZED STEEL
28" THRU 38" DIAMETER = 20 GAUGE GALVANIZED STEEL

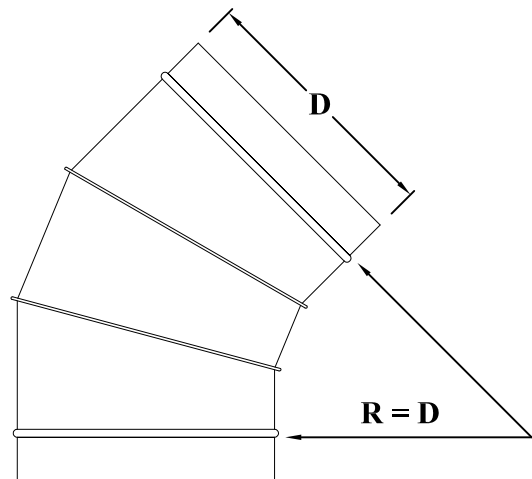
No. SP6121



45° DIE STAMPED ELBOW
SIZES 4"Ø THRU 12"Ø

4" THRU 12" DIAMETER = 24 GAUGE GALVANIZED STEEL

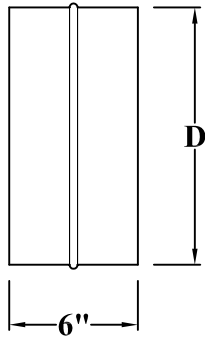
No. SP6121



45° 3-PIECE GORELOCK ELBOW
SIZES 14"Ø THRU 38"Ø

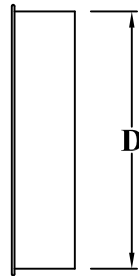
14" DIAMETER = 24 GAUGE GALVANIZED STEEL
16" THRU 26" DIAMETER = 22 GAUGE GALVANIZED STEEL
28" THRU 38" DIAMETER = 20 GAUGE GALVANIZED STEEL

No. SP6680



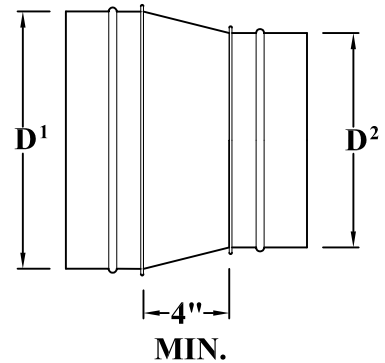
COUPLING FOR PIPE

No. SP6273



END CAP FOR PIPE

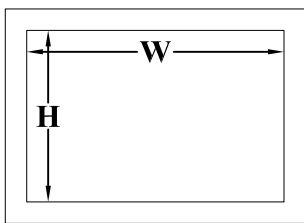
No. SP6265



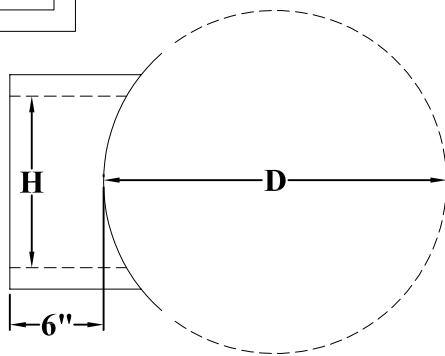
CONCENTRIC REDUCER

4" THRU 14" DIAMETER = 24 GAUGE GALVANIZED STEEL
16" THRU 26" DIAMETER = 22 GAUGE GALVANIZED STEEL
28" THRU 38" DIAMETER = 20 GAUGE GALVANIZED STEEL

No. SP6406



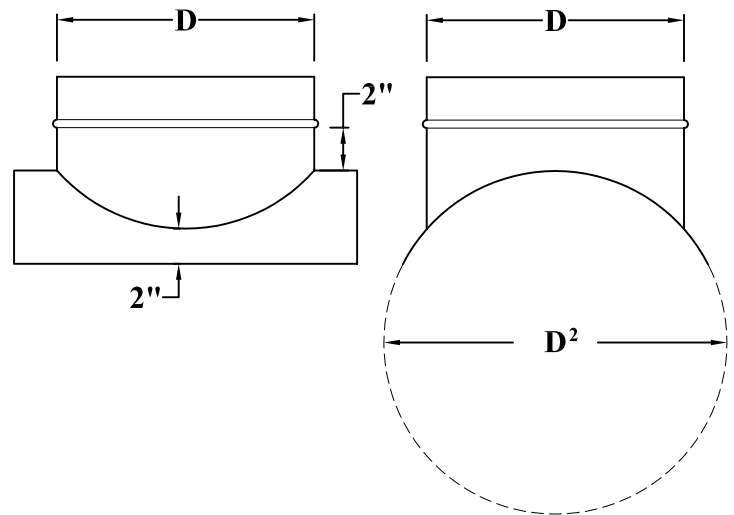
W x H = GRILLE
DIMENSIONS



GRILLE TAP

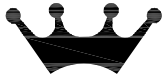
24 GAUGE GALVANIZED STEEL

No. SP6307



90° SADDLE TAP

4" THRU 14" DIAMETER = 24 GAUGE GALVANIZED STEEL
16" THRU 26" DIAMETER = 22 GAUGE GALVANIZED STEEL
28" THRU 38" DIAMETER = 20 GAUGE GALVANIZED STEEL



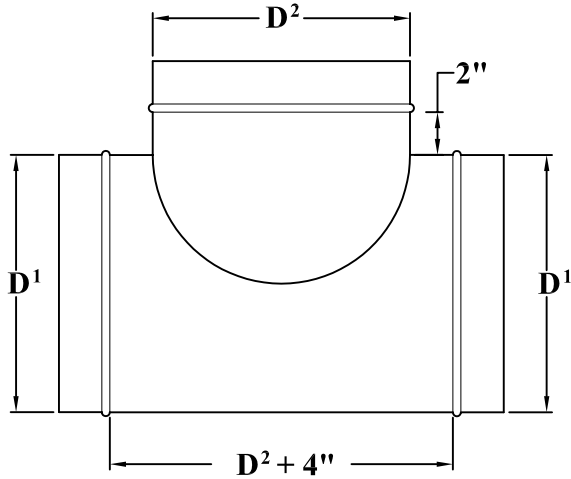
CROWN
PRODUCTS COMPANY, INC.

Commercial Duct Division
3545 New Kings Road
Jacksonville, FL 32209
Phone 800-818-7144
Fax 904-924-0841

SPECIFICATION DATA SHEET
SPIRAL DUCT FITTINGS

Spec Sheet 4 of 4

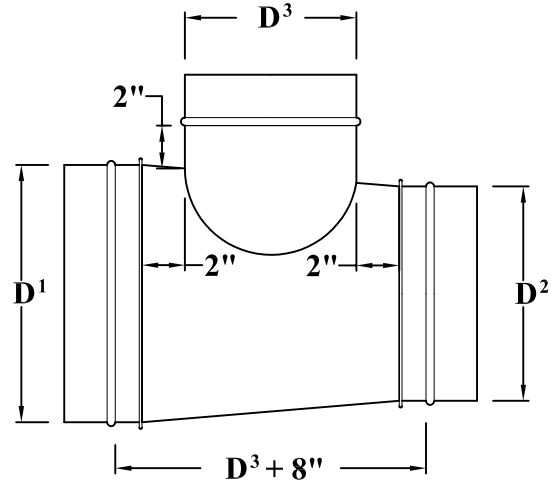
No. SP6271



90° TEE

4" THRU 14" DIAMETER = 24 GAUGE GALVANIZED STEEL
16" THRU 26" DIAMETER = 22 GAUGE GALVANIZED STEEL
28" THRU 38" DIAMETER = 20 GAUGE GALVANIZED STEEL

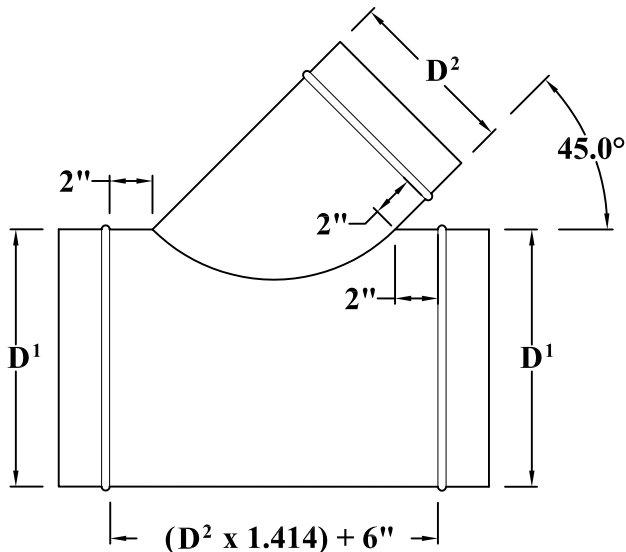
No. SP6271R



REDUCING 90° TEE

4" THRU 14" DIAMETER = 24 GAUGE GALVANIZED STEEL
16" THRU 26" DIAMETER = 22 GAUGE GALVANIZED STEEL
28" THRU 38" DIAMETER = 20 GAUGE GALVANIZED STEEL

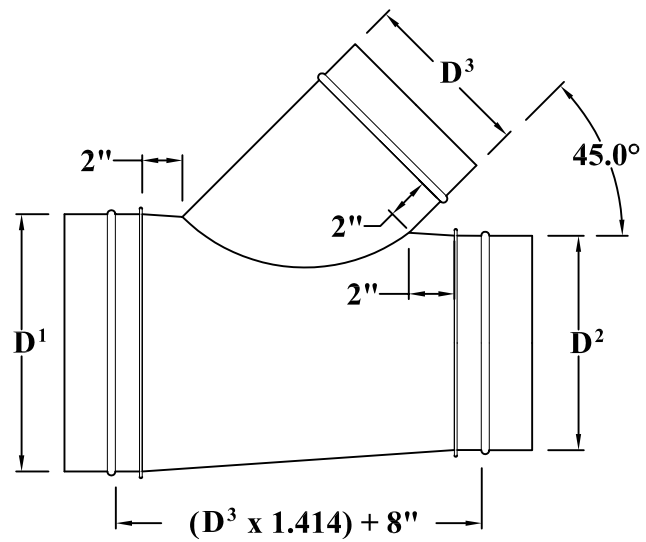
No. SP6276



45° LATERAL

4" THRU 14" DIAMETER = 24 GAUGE GALVANIZED STEEL
16" THRU 26" DIAMETER = 22 GAUGE GALVANIZED STEEL
28" THRU 38" DIAMETER = 20 GAUGE GALVANIZED STEEL

No. SP6276R



REDUCING 45° LATERAL

4" THRU 14" DIAMETER = 24 GAUGE GALVANIZED STEEL
16" THRU 26" DIAMETER = 22 GAUGE GALVANIZED STEEL
28" THRU 38" DIAMETER = 20 GAUGE GALVANIZED STEEL