



6390 Phillips Highway  
 Jacksonville, FL 32216  
 Phone (904) 737-7144

**SPECIFICATION DATA SHEET**

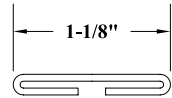
Date: 12/31/02

Drawn by: B.H.C.

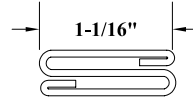
**TRANSVERSE CONNECTORS**

**DRIVES / STANDING DRIVES**

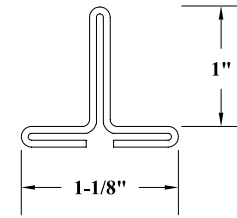
MODEL #	DESCRIPTION	GAUGE
#1228	FLAT DRIVE	28
#1226	FLAT DRIVE	26
#1224	FLAT DRIVE	24
#1624	STANDING DRIVE	24
#1622	STANDIND DRIVE	22
#1620	STANDING DRIVE	20



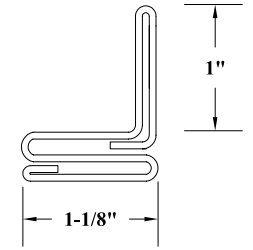
**Flat Drive**



**Flat S-Lock**



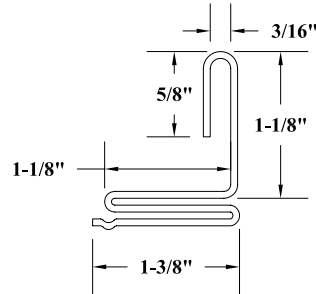
**Standing Drive**



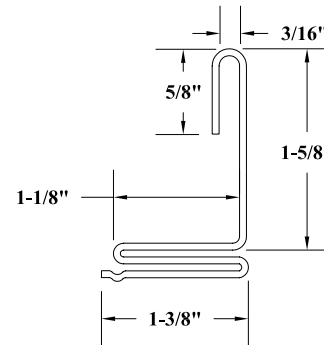
**1" Standing S-Lock**

**S-LOCKS / STANDING S-LOCKS**

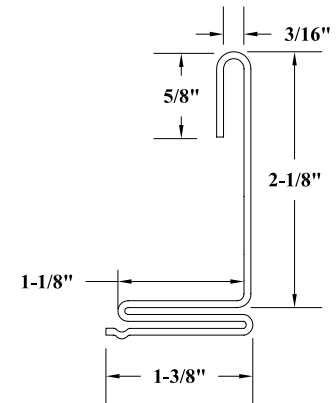
MODEL #	DESCRIPTION	GAUGE
#1028	FLAT S-LOCK	28
#1026	FLAT S-LOCK	26
#1024	FLAT S-LOCK	24
#1126	1" STANDING S-LOCK	26
#1124	1" STANDIND S-LOCK	24



**1" Standing Bar-Lock**



**1-1/2" Standing Bar-Lock**



**2" Standing Bar-Lock**

**BAR-LOCKS**

MODEL #	DESCRIPTION	GAUGE
#1324	1" STANDING BAR-LOCK	24
#1322	1" STANDING BAR-LOCK	22
#1320	1" STANDING BAR-LOCK	20
#1424	1-1/2" STANDING BAR-LOCK	24
#1422	1-1/2" STANDING BAR-LOCK	22
#1420	1-1/2" STANDING BAR-LOCK	20
#1524	2" STANDING BAR-LOCK	24
#1522	2" STANDING BAR-LOCK	22
#1520	2" STANDING BAR-LOCK	20

**SPECIAL NOTES**

AVAILABLE IN:  
 5 FT. LENGTHS  
 10 FT. LENGTHS  
 CUT TO LENGTH SIZES

FABRICATED FROM GALVANIZED STEEL SHEET OF LOCK FORMING  
 QUALITY PER ASTM A653 CS TYPE B. ALSO AVAILABLE IN ALUMINUM AND STAINLESS STEEL.