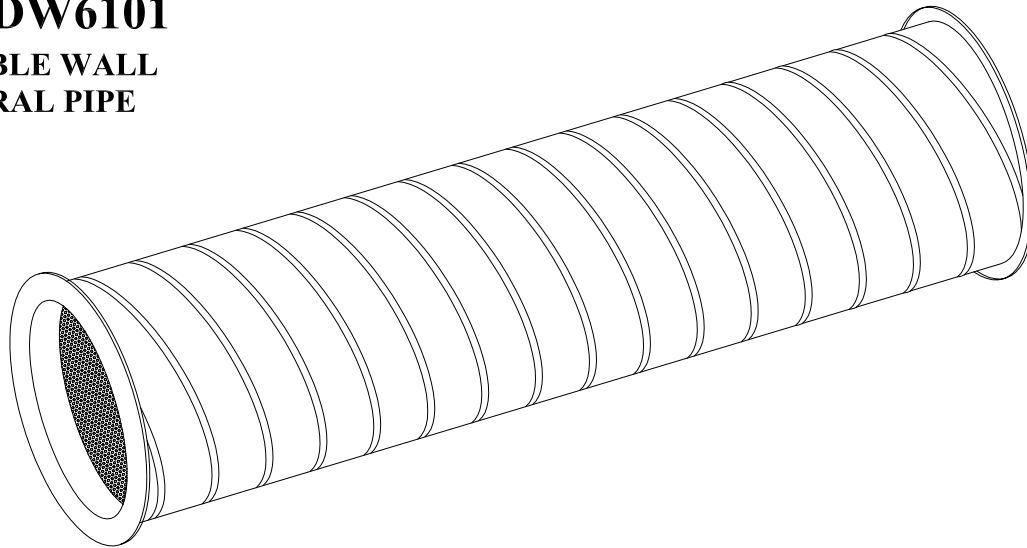


No. DW6101
DOUBLE WALL
SPIRAL PIPE



✠ **INNER WALL: PIPE DIAMETER, 6" THRU 38" DIAMETERS AVAILABLE**
MATERIAL:

PERFORATED STEEL $\frac{3}{32}$ " DIAMETER HOLE, $\frac{3}{16}$ " CENTER STAGGER

INNER WALL STEEL GAUGES:

6" THRU 26" DIAMETER = 24 GAUGE

28" THRU 36" DIAMETER = 22 GAUGE

✠ **OUTER WALL: PIPE DIAMETER + 2"**

MATERIAL AVAILABLE:

GALVANIZED STEEL PER ASTM A653, CS TYPE B.

GALVANNEALED STEEL (PAINTABLE) PER ASTM A653. COATING DESIGNATION A40.

OUTER WALL STEEL GAUGES:

8" THRU 14" DIAMETER = 26 GAUGE

16" THRU 26" DIAMETER = 24 GAUGE

28" THRU 36" DIAMETER = 22 GAUGE

38" DIAMETER = 20 GAUGE

✠ **INTERNAL INSULATION:**

1" THICK

✠ **PIPE CONSTRUCTION:**

SPIRAL LOCK SEAM SMACNA RL - 1.

10 FT. JOINTS STANDARD.

CUT TO LENGTH JOINTS AVAILABLE UPON REQUEST.

✠ **TRANSVERSE CONNECTIONS:**

FACTORY INSTALLED 18 GAUGE OUTBOARD FLANGE WITH FIELD INSTALLED BUTYL GASKET (SUPPLIED) SCREWED TOGETHER WITH #10 TEK SCREWS.



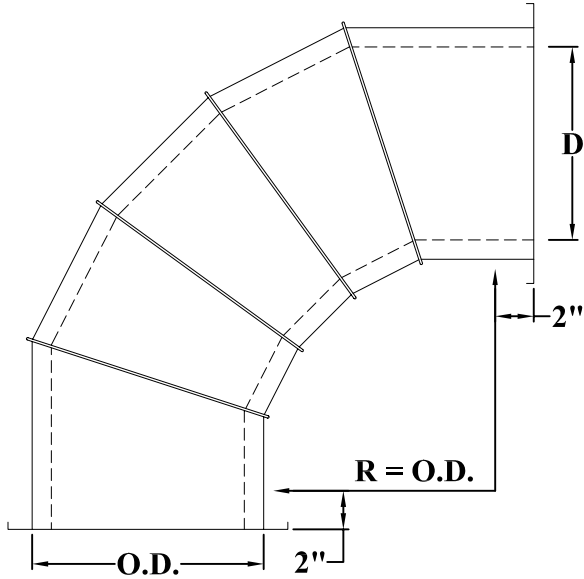
CROWN
PRODUCTS COMPANY, INC.

Commercial Duct Division
3545 New Kings Road
Jacksonville, FL 32209
Phone 800-818-7144
Fax 904-924-0841

SPECIFICATION DATA SHEET
DOUBLE WALL FITTINGS

Spec Sheet 2 of 4

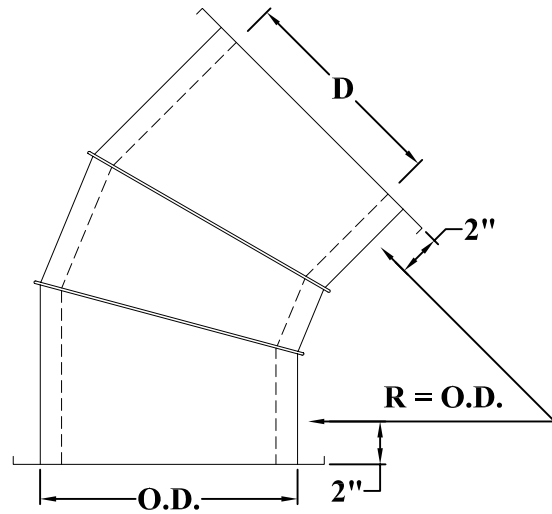
No. DW6111



90° 5-PIECE GORELOCK ELBOW

6" THRU 14" DIAMETER = 24 GAUGE GALVANIZED STEEL
16" THRU 26" DIAMETER = 22 GAUGE GALVANIZED STEEL
28" THRU 36" DIAMETER = 20 GAUGE GALVANIZED STEEL

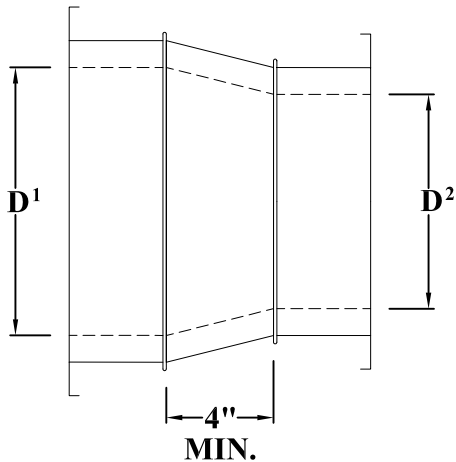
No. DW6121



45° 3-PIECE GORELOCK ELBOW

6" THRU 14" DIAMETER = 24 GAUGE GALVANIZED STEEL
16" THRU 26" DIAMETER = 22 GAUGE GALVANIZED STEEL
28" THRU 36" DIAMETER = 20 GAUGE GALVANIZED STEEL

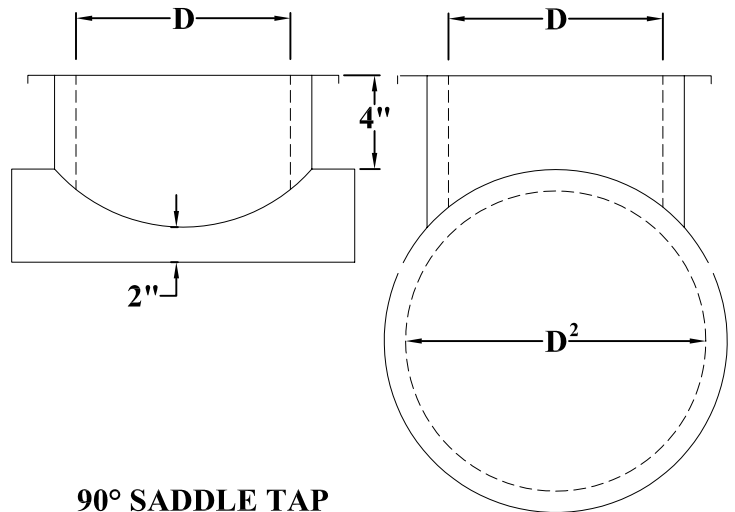
No. DW6265



CONCENTRIC REDUCER

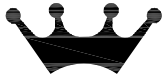
6" THRU 14" DIAMETER = 24 GAUGE GALVANIZED STEEL
16" THRU 26" DIAMETER = 22 GAUGE GALVANIZED STEEL
28" THRU 36" DIAMETER = 20 GAUGE GALVANIZED STEEL

No. DW6307



90° SADDLE TAP

6" THRU 14" DIAMETER = 24 GAUGE GALVANIZED STEEL
16" THRU 26" DIAMETER = 22 GAUGE GALVANIZED STEEL
28" THRU 36" DIAMETER = 20 GAUGE GALVANIZED STEEL



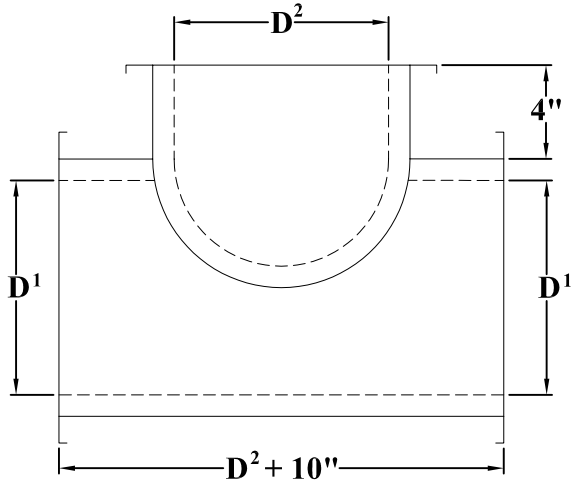
CROWN
PRODUCTS COMPANY, INC.

Commercial Duct Division
3545 New Kings Road
Jacksonville, FL 32209
Phone 800-818-7144
Fax 904-924-0841

SPECIFICATION DATA SHEET
DOUBLE WALL FITTINGS

Spec Sheet 3 of 4

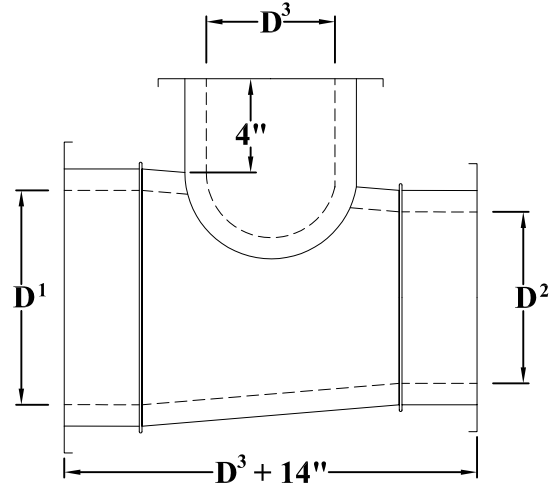
No. DW6271



90° TEE

6" THRU 14" DIAMETER = 24 GAUGE GALVANIZED STEEL
16" THRU 26" DIAMETER = 22 GAUGE GALVANIZED STEEL
28" THRU 36" DIAMETER = 20 GAUGE GALVANIZED STEEL

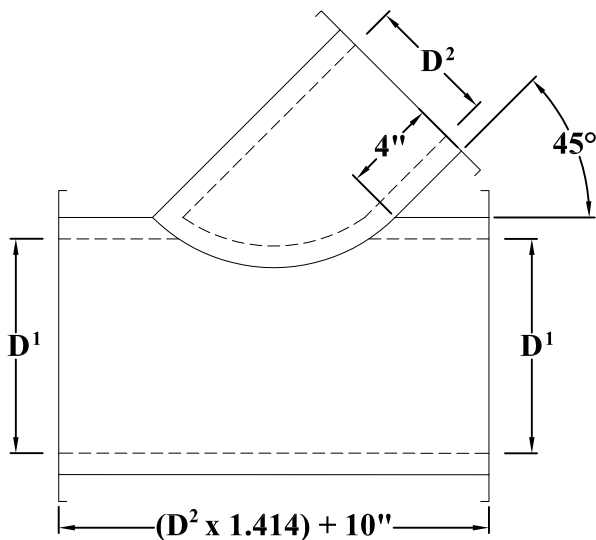
No. DW6271R



REDUCING 90° TEE

8" THRU 14" DIAMETER = 24 GAUGE GALVANIZED STEEL
16" THRU 26" DIAMETER = 22 GAUGE GALVANIZED STEEL
28" THRU 36" DIAMETER = 20 GAUGE GALVANIZED STEEL

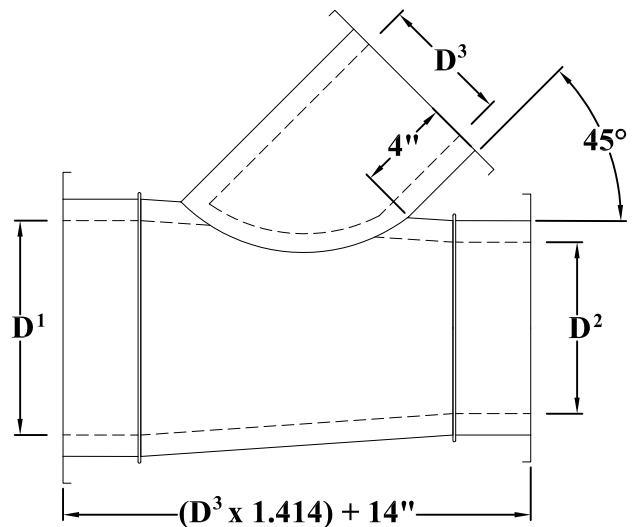
No. DW6276



45° LATERAL

6" THRU 14" DIAMETER = 24 GAUGE GALVANIZED STEEL
16" THRU 26" DIAMETER = 22 GAUGE GALVANIZED STEEL
28" THRU 36" DIAMETER = 20 GAUGE GALVANIZED STEEL

No. DW6276R



REDUCING 45° LATERAL

8" THRU 14" DIAMETER = 24 GAUGE GALVANIZED STEEL
16" THRU 26" DIAMETER = 22 GAUGE GALVANIZED STEEL
28" THRU 36" DIAMETER = 20 GAUGE GALVANIZED STEEL



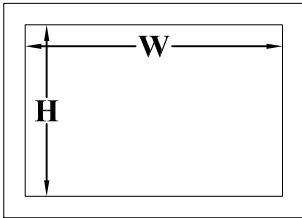
CROWN
PRODUCTS COMPANY, INC.

Commercial Duct Division
3545 New Kings Road
Jacksonville, FL 32209
Phone 800-818-7144
Fax 904-924-0841

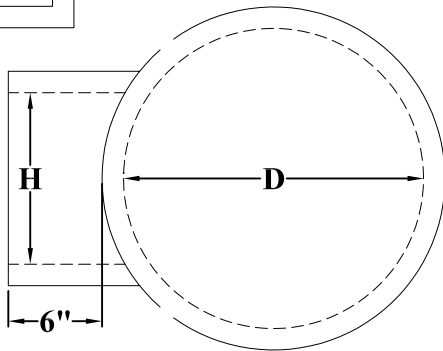
SPECIFICATION DATA SHEET
DOUBLE WALL FITTINGS

Spec Sheet 4 of 4

No. DW6406



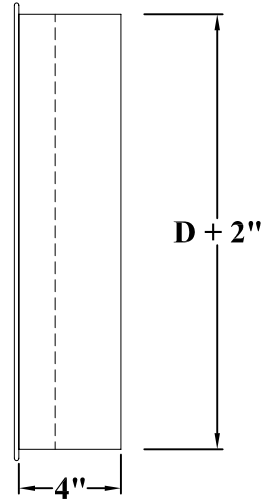
W x H = GRILLE
DIMENSIONS



GRILLE TAP

24 GAUGE GALVANIZED STEEL

No. DW6273



END CAP

6" THRU 14" DIAMETER = 24 GAUGE GALVANIZED STEEL
16" THRU 26" DIAMETER = 22 GAUGE GALVANIZED STEEL
28" THRU 36" DIAMETER = 20 GAUGE GALVANIZED STEEL

NOTES & FIGURES