



6390 Philips Highway
Jacksonville, FL 32216
Phone (904) 737-7144

SPECIFICATION DATA SHEET

MODEL No. 935

DAMPER SECTION

Date: 3/16/05

Drawn by: Don.Jr.

DIMENSIONAL DATA

STANDARD SIZE AVAILABLE: 15" x 15 3/4"

STANDARD DEPTH: 4"

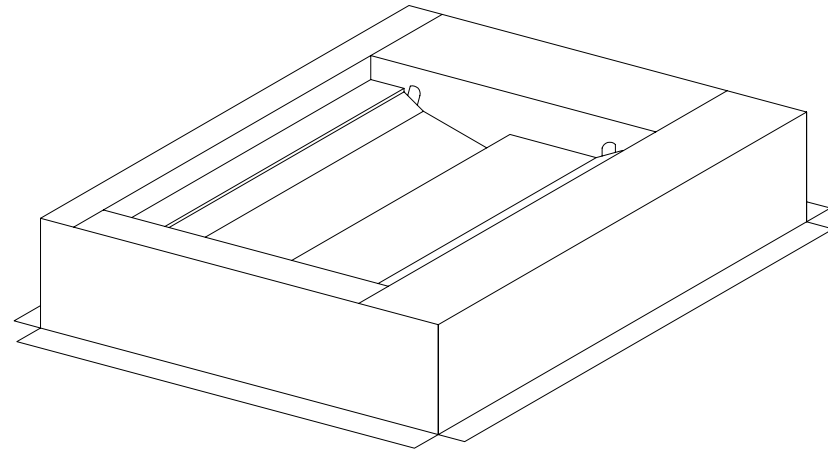
FABRICATION DATA

MATERIAL:
FABRICATED FROM HOT DIPPED GALVANIZED
STEEL SHEETS OF LOCK FORMING QUALITY
PER ASTM-A653 CS TYPE B.

GAUGES:
ALL SIZES = 26 GAUGE

FEATURES

TOP IS REMOVABLE TO BE USED FLAT.
1" FLANGE



OPTIONS

#930: DAMPER SECTION TOP ONLY

SPECIAL NOTES