



6390 Philips Highway
Jacksonville, FL 32216
Phone (904) 737-7144

SPECIFICATION DATA SHEET

MODEL No. 930

BACK DRAFT DAMPER TOP ONLY

Date: 1/16/06

Drawn by: Don.Jr.

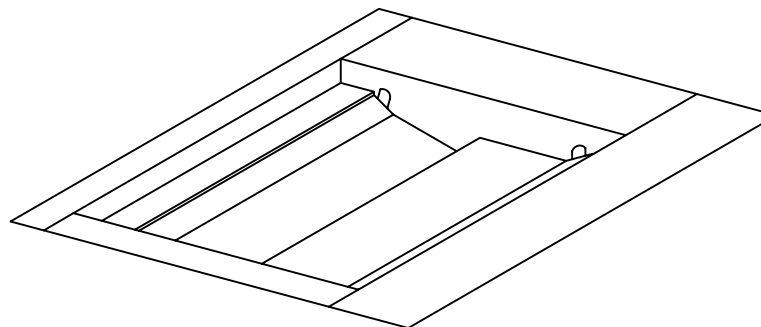
DIMENSIONAL DATA

STANDARD SIZE AVAILABLE: 15" x 15 3/4"

FABRICATION DATA

MATERIAL:
FABRICATED FROM HOT DIPPED GALVANIZED
STEEL SHEETS OF LOCK FORMING QUALITY
PER ASTM-A653 CS TYPE B.

26 GAUGE



FEATURES

OPTIONS

#935: DAMPER SECTION 4" DEEP

SPECIAL NOTES