



6390 Philips Highway
Jacksonville, FL 32216
Phone (904) 737-7144

SPECIFICATION DATA SHEET

MODEL No. 912

RETURN AIR BOX WITH 1/2" LINER

Date: 1/19/06

Drawn by: Don. Jr.

DIMENSIONAL DATA

STANDARD SIZES AVAILABLE:

14" x 14"

12" x 20"

STANDARD DEPTH 21"

FABRICATION DATA

MATERIAL:

FABRICATED FROM HOT DIPPED GALVANIZED
STEEL SHEETS OF LOCK FORMING QUALITY
PER ASTM-A653 CS TYPE B.

INTERNALLY INSULATED WITH 1/2" INSULATION.

GAUGES:

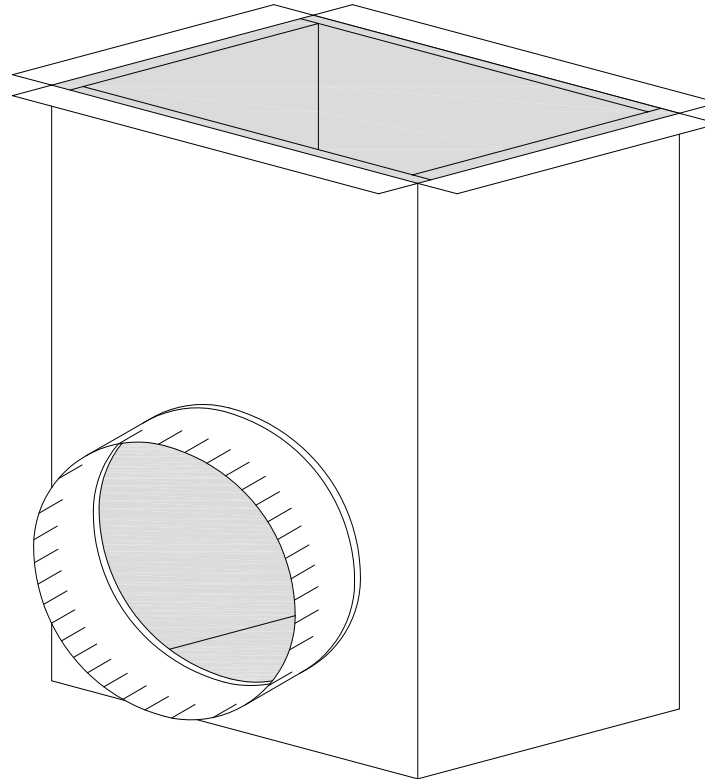
ALL SIZES = 28 GAUGE

FEATURES

1/2" FLANGE ON RECTANGULAR OPENING.

DIAGONAL RACK FOR 1" FILTER.

ROUND STARTING COLLAR SHIPPED SEPARATE -
FIELD INSTALLED.



OPTIONS

#910: RETURN AIR BOX

SPECIAL NOTES