



6390 Philips Highway
Jacksonville, FL 32216
Phone (904) 737-7144

SPECIFICATION DATA SHEET

MODEL No. 910

RETURN AIR BOX

Date: 8/05/11 rev.

Drawn by: Don. Jr.

DIMENSIONAL DATA

STANDARD SIZES AVAILABLE:

12" x 20" - 12" RD	20" x 20" FILTER RACK
12" x 20" - 14" RD	20" x 20" FILTER RACK
14" x 14" - 12" RD	14" x 20" FILTER RACK
14" x 14" - 14" RD	14" x 20" FILTER RACK
14" x 20" - 14" RD	20" x 20" FILTER RACK
16" x 20" - 14" RD	20" x 25" FILTER RACK

STANDARD DEPTH 22"

FABRICATION DATA

MATERIAL:

FABRICATED FROM HOT DIPPED GALVANIZED
STEEL SHEETS OF LOCK FORMING QUALITY
PER ASTM-A653 CS TYPE B.

GAUGES:

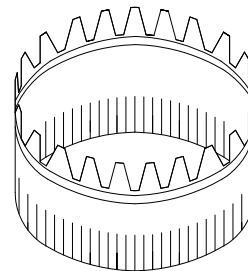
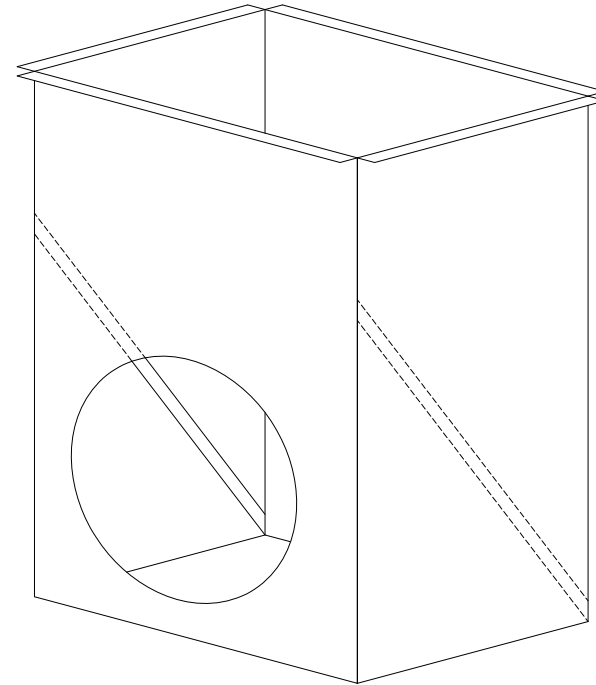
ALL SIZES = 28 GAUGE

FEATURES

1/2" FLANGE ON RECTANGULAR OPENING.

DIAGONAL RACK FOR 1" FILTER.

ROUND STARTING COLLAR SHIPPED SEPARATE -
FIELD INSTALLED.



START COLLAR
SHIPPED INSIDE BOX

OPTIONS

#912: RETURN AIR BOX WITH 1/2" LINER

SPECIAL NOTES