



6390 Philips Highway
Jacksonville, FL 32216
Phone (904) 737-7144

SPECIFICATION DATA SHEET

MODEL No. 900

RETURN AIR BOX

Date: 3/10/05

Drawn by: Don.Jr.

DIMENSIONAL DATA

STANDARD SIZES AVAILABLE:

- 12" x 20" - 12"
- 14" x 14" - 12"
- 14" x 20" - 12"
- 14" x 20" - 14"
- 16" x 20" - 12"
- 16" x 20" - 14"

STANDARD DEPTH 6"

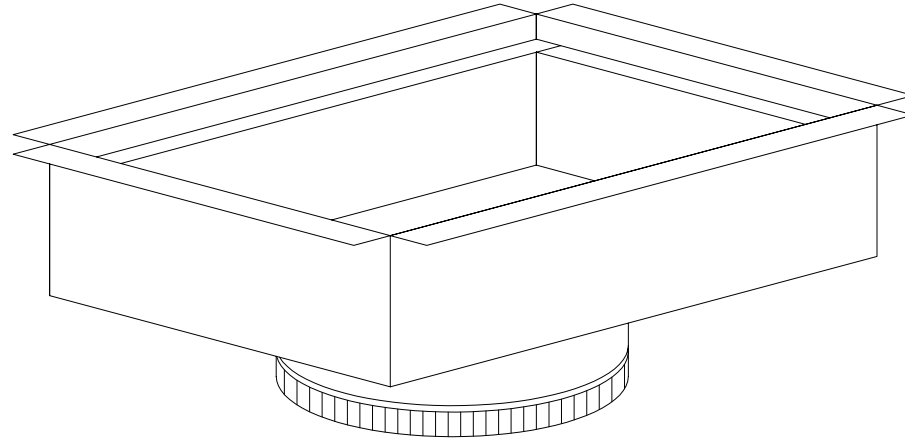
FABRICATION DATA

MATERIAL:
FABRICATED FROM HOT DIPPED GALVANIZED
STEEL SHEETS OF LOCK FORMING QUALITY
PER ASTM-A653 CS TYPE B.

GAUGES:
ALL SIZES = 28 GAUGE

FEATURES

- 1/2" FLANGE.
- LAY-IN FILTER RACK.



OPTIONS

SPECIAL NOTES