



6390 Phillips Highway  
Jacksonville, FL 32216  
Phone (904) 737-7144

**SPECIFICATION DATA SHEET**

**MODEL No. 799**

**Date: 01/16/06**

**Drawn by: Don. JR.**

**2" HANGER STRAP**

**DIMENSIONAL DATA**

2" X 100' ROLLS

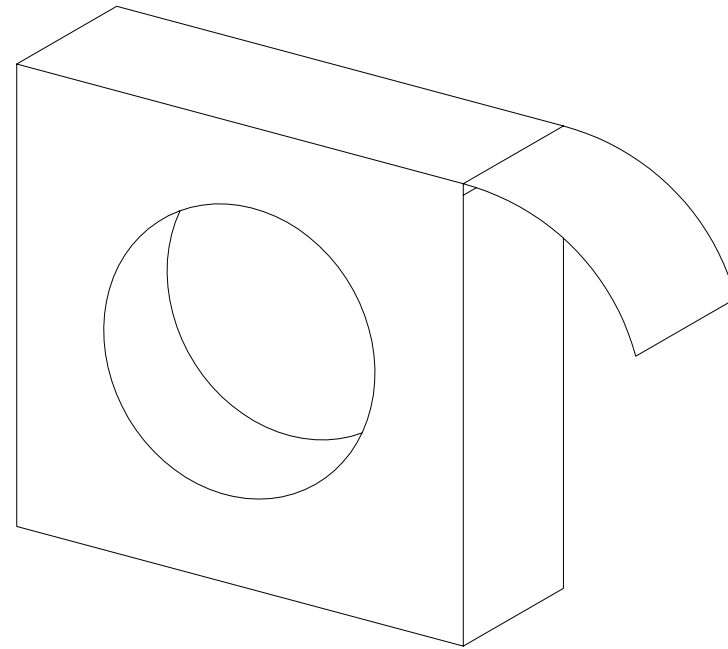
**FABRICATION DATA**

**MATERIAL: FABRICATED FROM GALVANIZED  
STEEL SHEET, ASTM-A653 CS TYPE B.**

**AVAILABLE GAUGES:**

- 28 GAUGE - .016" MINIMUM STEEL THICKNESS
- 26 GAUGE - .019" MINIMUM STEEL THICKNESS
- 24 GAUGE - .024" MINIMUM STEEL THICKNESS

**FEATURES**



**OPTIONS**

**SPECIAL NOTES**