



6390 Philips Highway
Jacksonville, FL 32216
Phone (904) 737-7144

SPECIFICATION DATA SHEET

Date: 10/20/09 rev.

Drawn by: Don. JR.

MODEL No. 726

SPIN-IN COLLAR for METAL DUCT
with SCOOP & MANUAL VOLUME DAMPER

DIMENSIONAL DATA

SIZES AVAILABLE: 4" THROUGH 16"

COLLAR LENGTH: 5-1/2"

FABRICATION DATA

MATERIAL:
HOT DIPPED GALVANIZED STEEL SHEET
PER ASTM-A653 CS TYPE B.

GAUGES:
4" THROUGH 10" = 30 GAUGE
12" THROUGH 16" = 28 GAUGE

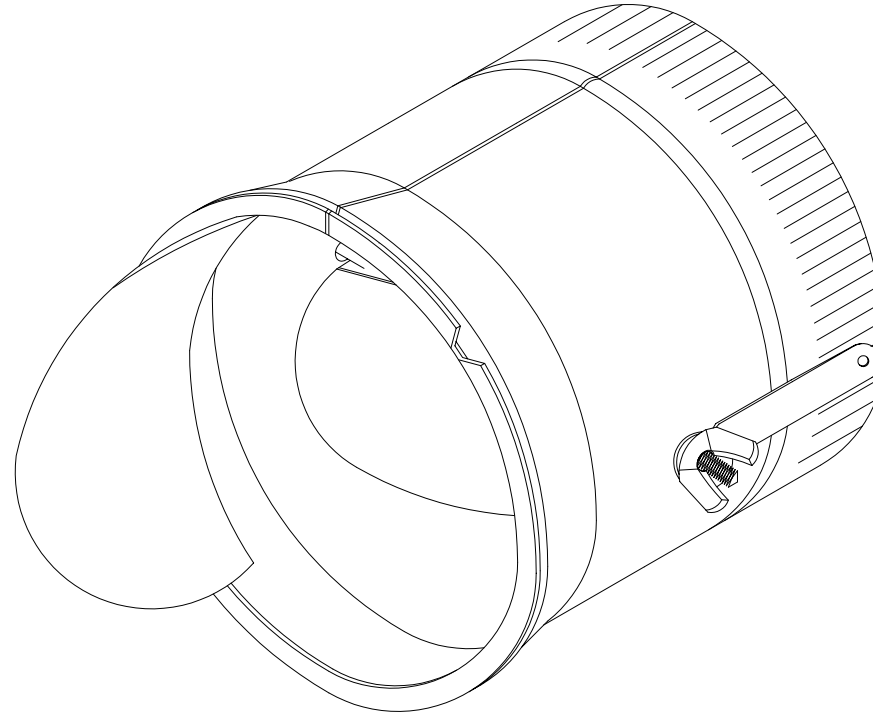
FEATURES

MANUAL VOLUME DAMPER INSTALLED.

SIZES 4" THROUGH 10" HAVE DAMPER WITH 1/4"
REGULATOR.

SIZES 12" THROUGH 16" HAVE REINFORCED
DAMPER AXIS WITH 1/4" REGULATOR, END
BEARING WITH WASHER AND WING NUT.

SCOOP PENETRATES INTO TRUNK DUCT AIR
STREAM.



OPTIONS

No. 720: SPIN COLLAR FOR SHEET METAL DUCT

No. 722: COLLAR WITH SCOOP

No. 724: COLLAR WITH MANUAL VOLUME
DAMPER

SPECIAL NOTES

RECOMMENDED INSTALLATION: DAMPER AXIS PARALLEL TO AIR FLOW.