



6390 Philips Highway
Jacksonville, FL 32216
Phone (904) 737-7144

SPECIFICATION DATA SHEET

MODEL No. 724-DSO

SPIN-IN for SHEET METAL DUCT
with MANUAL VOLUME DAMPER
and DAMPER HANDLE STANDOFF

Date:10/20/09 rev.

Drawn by: MDC

DIMENSIONAL DATA

SIZES AVAILABLE: 4" THROUGH 16"

COLLAR LENGTH: 5-1/2"

FABRICATION DATA

MATERIAL:
HOT DIPPED GALVANIZED STEEL SHEET
PER ASTM-A653 CS TYPE B.

GAUGES:
4" THROUGH 10" = 30 GAUGE
12" THROUGH 16" = 28 GAUGE

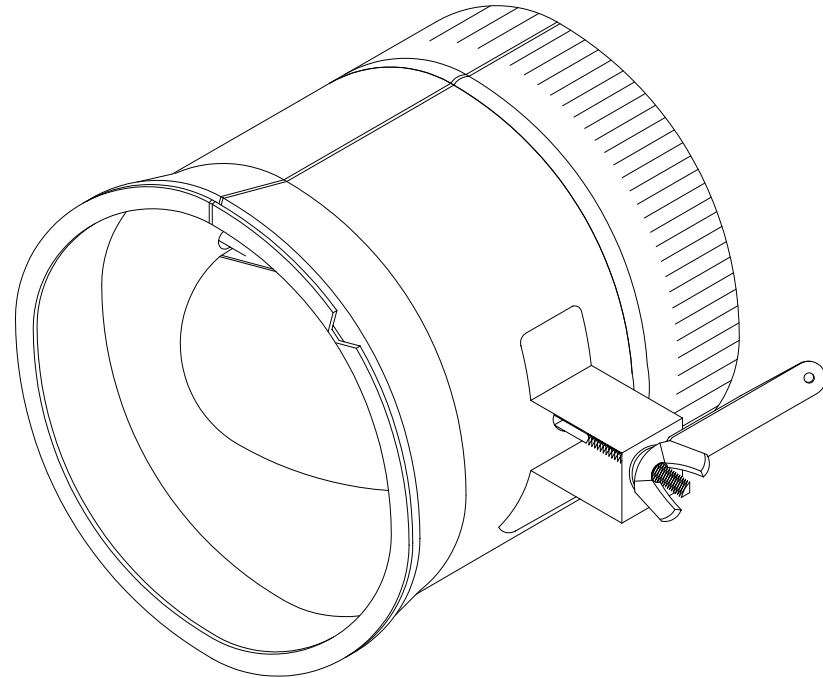
FEATURES

MANUAL VOLUME DAMPER INSTALLED.

SIZES 4" THROUGH 10" HAVE DAMPER WITH 1/4"
REGULATOR.

SIZES 12" THROUGH 16" HAVE REINFORCED
DAMPER AXIS WITH 1/4" REGULATOR.

2" DAMPER HANDLE STANDOFF.



OPTIONS

SPECIAL NOTES

RECOMMENDED INSTALLATION: DAMPER AXIS PARALLEL TO AIR FLOW.