



6390 Phillips Highway
Jacksonville, FL 32216
Phone (904) 737-7144

SPECIFICATION DATA SHEET

MODEL No. 722

SPIN COLLAR for SHEET METAL DUCT
with SCOOP

Date: 5/23/02 rev.

Drawn by: Don. JR.

DIMENSIONAL DATA

SIZES AVAILABLE: 4" THROUGH 16"
COLLAR LENGTH: 5-1/2"

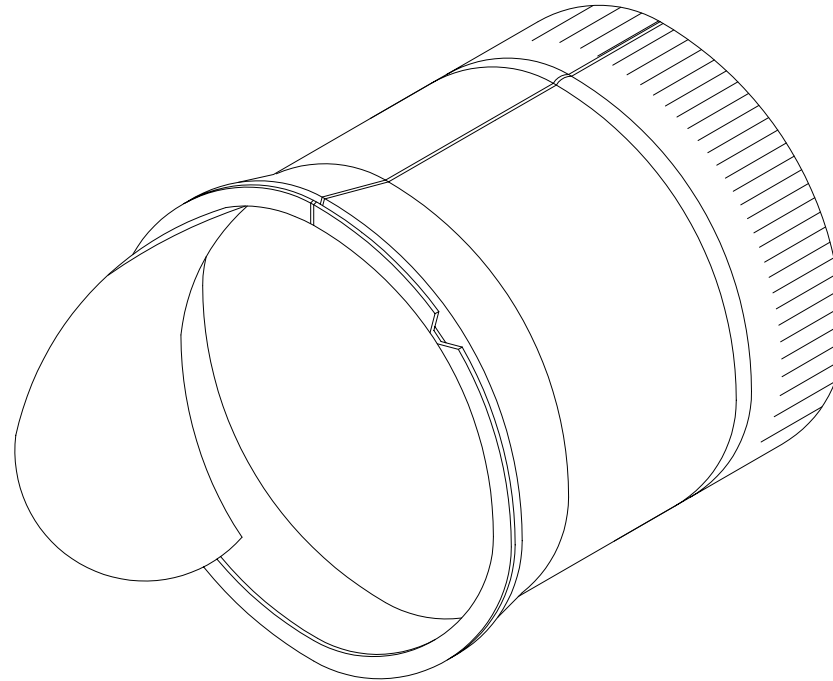
FABRICATION DATA

MATERIAL:
HOT DIPPED GALVANIZED STEEL SHEET
PER ASTM-A653 CS TYPE B.

GAUGES:
4" THROUGH 10": 30 GAUGE
12" THROUGH 16": 28 GAUGE

FEATURES

SCOOP PENETRATES INTO TRUNK DUCT AIR
STREAM.



OPTIONS

- No. 720: SPIN COLLAR FOR SHEET METAL DUCT
- No. 724: COLLAR WITH MANUAL VOLUME
DAMPER
- No. 726: COLLAR WITH DAMPER AND SCOOP

SPECIAL NOTES