



6390 Philips Highway  
Jacksonville, FL 32216  
Phone (904) 737-7144

## SPECIFICATION DATA SHEET

## MODEL No. 714-DSO

START COLLAR WITH GASKET FLANGE,  
MANUAL VOLUME DAMPER AND  
DAMPER HANDLE STANDOFF

Date: 10/21/09 rev.

Drawn by: M.D.C.

### DIMENSIONAL DATA

SIZES AVAILABLE: 4" THROUGH 16" DIAMETER

COLLAR LENGTH: 5 1/2"

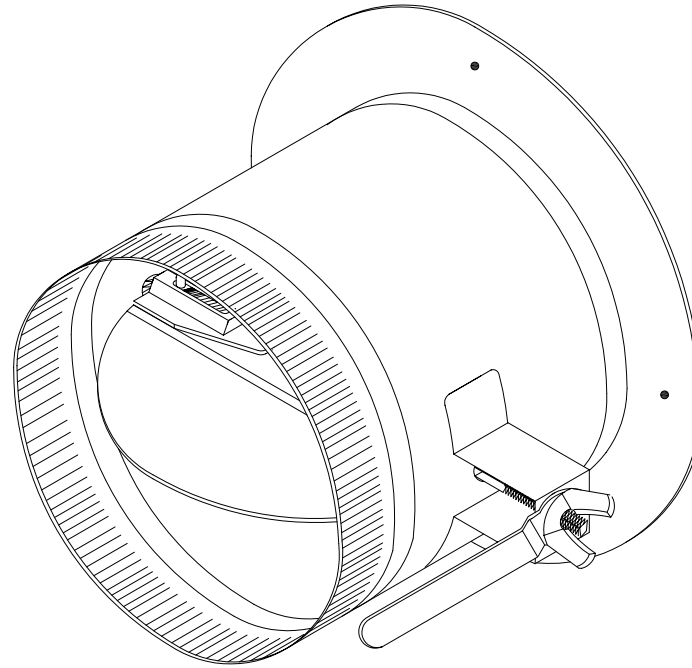
### FABRICATION DATA

MATERIAL:  
HOT DIPPED GALVANIZED STEEL SHEET  
PER ASTM-A653 CS TYPE B.

GAUGES:  
4" THROUGH 10" = 30 GAUGE  
12" THROUGH 16" = 28 GAUGE

### FEATURES

1" WIDE FLANGE WITH GASKET MATERIAL.  
MANUAL VOLUME DAMPER INSTALLED.  
SIZES 4" THROUGH 10" HAVE DAMPER WITH 1/4"  
REGULATOR.  
SIZES 12" THROUGH 16" HAVE REINFORCED  
DAMPER AXIS WITH 1/4" REGULATOR.  
PRE-DRILLED SCREW HOLES IN FLANGE FOR  
EASE OF INSTALLATION.  
2" DAMPER HANDLE STANDOFF.



### OPTIONS

### SPECIAL NOTES

RECOMMENDED INSTALLATION: DAMPER AXIS PARALLEL TO AIR FLOW.