



6390 Philips Highway
Jacksonville, FL 32216
Phone (904) 737-7144

SPECIFICATION DATA SHEET

MODEL No. 714

START COLLAR WITH GASKET FLANGE
AND MANUAL VOLUME DAMPER

Date: 10/21/09 rev.

Drawn by: M.D.C.

DIMENSIONAL DATA

SIZES AVAILABLE: 4" THROUGH 16" DIAMETER

COLLAR LENGTH: 5-1/2"

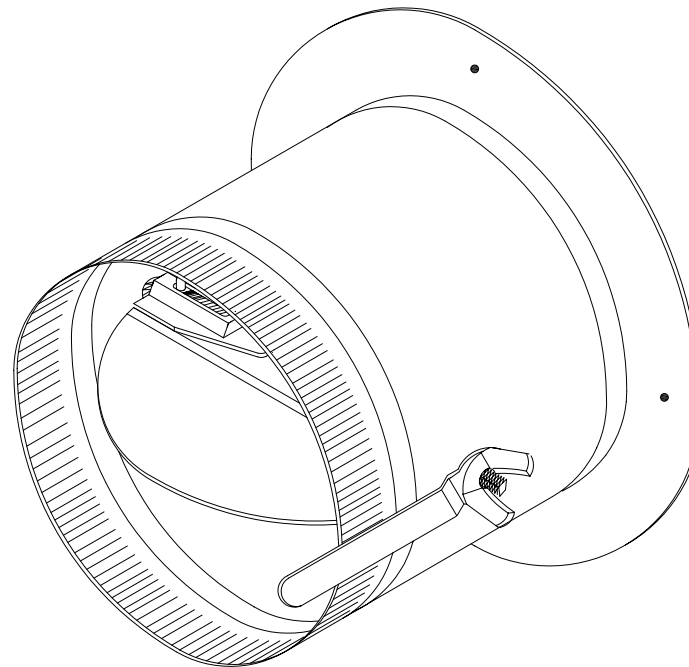
FABRICATION DATA

MATERIAL:
HOT DIPPED GALVANIZED STEEL SHEET
PER ASTM-A653 CS TYPE B.

GAUGES:
4" THROUGH 10" = 30 GAUGE
12" THROUGH 16" = 28 GAUGE

FEATURES

1" WIDE FLANGE WITH GASKET MATERIAL.
MANUAL VOLUME DAMPER INSTALLED.
SIZES 4" THROUGH 10" HAVE DAMPER WITH 1/4"
REGULATOR.
SIZES 12" THROUGH 16" HAVE REINFORCED
DAMPER AXIS WITH 1/4" REGULATOR.
PRE-DRILLED SCREW HOLES IN FLANGE FOR
EASE OF INSTALLATION.



OPTIONS

SPECIAL NOTES

RECOMMENDED INSTALLATION: DAMPER AXIS PARALLEL TO AIR FLOW.