



6390 Phillips Highway
Jacksonville, FL 32216
Phone (904) 737-7144

SPECIFICATION DATA SHEET

MODEL No. 680

FLEX DUCT CONNECTOR SLEEVE

Date: 03/25/02

Drawn by: M.D.C.

DIMENSIONAL DATA

SIZES AVAILABLE: 4" THROUGH 20" DIAMETER

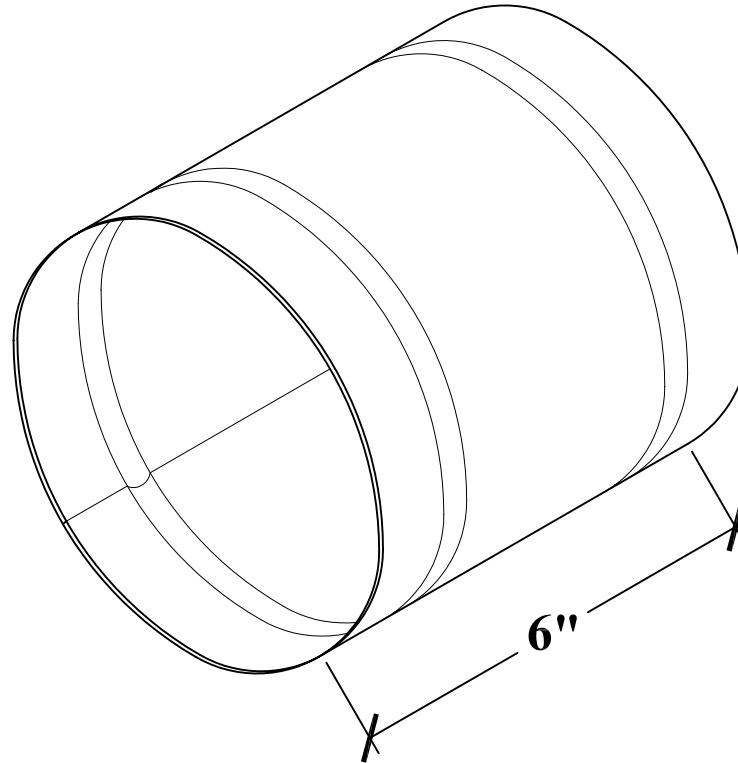
ALL SIZES: SLEEVE IS 6" LONG

FABRICATION DATA

MATERIAL:
ALL SIZES, 30 GAUGE GALVANIZED STEEL

FEATURES

RIVETED LONGITUDINAL SEAM.
CONVEX BEADS ON BOTH ENDS, 1" FROM END
OF SLEEVE.



OPTIONS

SPECIAL NOTES