



6390 Philips Highway
Jacksonville, FL 32216
Phone (904) 737-7144

SPECIFICATION DATA SHEET

Date: 11/02/09 rev.

Drawn by: M.D.C.

MODEL No. 666-B RECTANGULAR TO ROUND ADAPTER with BLACK INTERIOR

DIMENSIONAL DATA

SIZES AVAILABLE: 6" x 6" - 24" x 24"

RECTANGULAR END DIMENSION: 1/4" OVERSIZED

ROUND COLLAR DIMENSION: 1/4" UNDERSIZED

2-7/8" DEEP RECTANGULAR END

2-3/4" LONG ROUND COLLAR

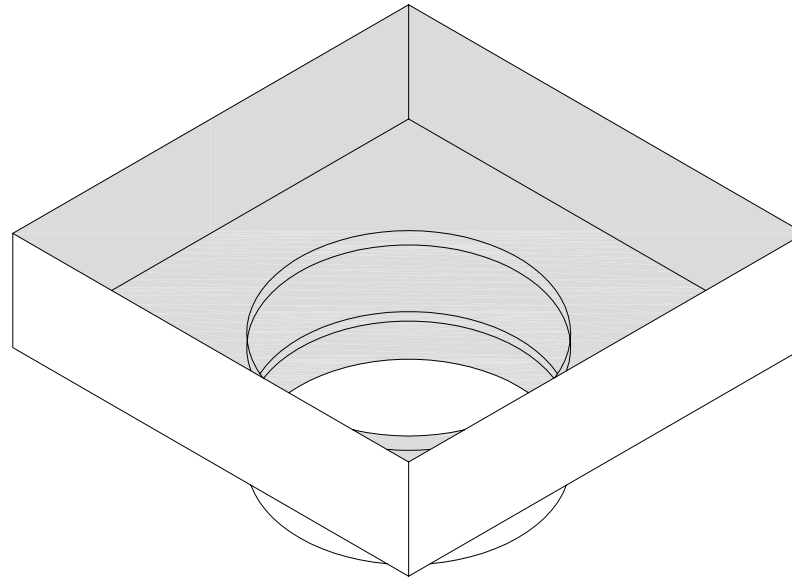
FABRICATION DATA

FABRICATED FROM 26 GAUGE GALVANIZED
STEEL SHEET PER ASTM-A653 CS TYPE B PAINTED
BLACK.

FEATURES

RECTANGULAR END IS STRAIGHT TO FIT
OVER GRILLE NECK.

ROUND COLLAR IS UNDERSIZED WITH BEAD
TO ACCEPT FLEX DUCT.



OPTIONS

CUSTOM SIZES AND "NO COLLAR" OPTION.

SPECIAL NOTES

ROUND COLLAR EXTENDS 1/4" INTO RECTANGULAR END.