



6390 Phillips Highway  
Jacksonville, FL 32216  
Phone (904) 737-7144

### SPECIFICATION DATA SHEET

## MODEL No. 652

RING SEAL COLLAR with SCOOP

Date: 3/31/03 rev.

Drawn by: Don. JR.

#### DIMENSIONAL DATA

SIZES AVAILABLE: 4" THROUGH 16" DIAMETER

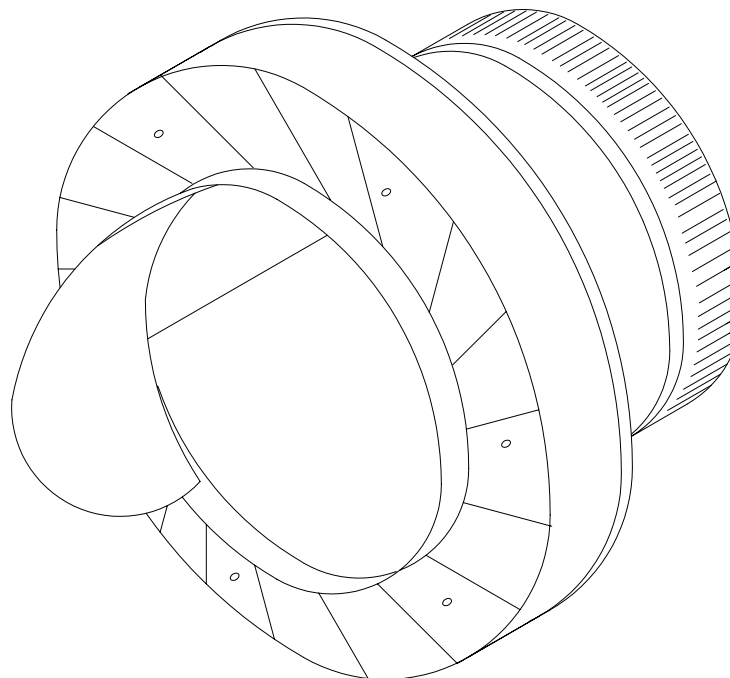
COLLAR LENGTH: 4-1/4"

#### FABRICATION DATA

MATERIAL:  
FABRICATED FROM HOT DIPPED GALVANIZED  
STEEL SHEETS PER ASTM-A653 CS TYPE B.

COLLAR: 30 GAUGE GALVANIZED STEEL  
SCOOP: 30 GAUGE GALVANIZED STEEL  
"CAP": 26 GAUGE GALVANIZED STEEL

RIVETED LONGITUDINAL SEAM.



#### FEATURES

CRIMP AND BEAD MALE TRANSVERSE  
CONNECTION.

POCKET OF RING SEAL COLLAR MAINTAINS  
FULL 1-1/2" INSULATION THICKNESS.

SCOOP INSTALLED.

SCREW HOLES.

#### OPTIONS

- No. 650 RING SEAL COLLAR
- No. 654 RING SEAL COLLAR WITH MANUAL  
VOLUME DAMPER
- No. 656 RING SEAL COLLAR WITH SCOOP  
AND MANUAL VOLUME DAMPER

#### SPECIAL NOTES