



6390 Philips Highway
Jacksonville, FL 32216
Phone (904) 737-7144

SPECIFICATION DATA SHEET

MODEL No. 616-DSO

TAB COLLAR WITH MANUAL VOLUME DAMPER
AND DAMPER HANDLE STANDOFF

Date: 10/20/09 rev.

Drawn by: M.D.C.

DIMENSIONAL DATA

SIZES AVAILABLE: 4" THROUGH 20" DIAMETER

COLLARS ARE 3" LONG FROM FLANGE TO EDGE OF COLLAR.

FABRICATION DATA

FABRICATED FROM HOT DIPPED GALVANIZED STEEL SHEET OF LOCK FORMING QUALITY PER ASTM-653 CS TYPE B.

SIZES 4" THROUGH 12" = 30 GAUGE
SIZES 14" THROUGH 20" = 28 GAUGE

FEATURES

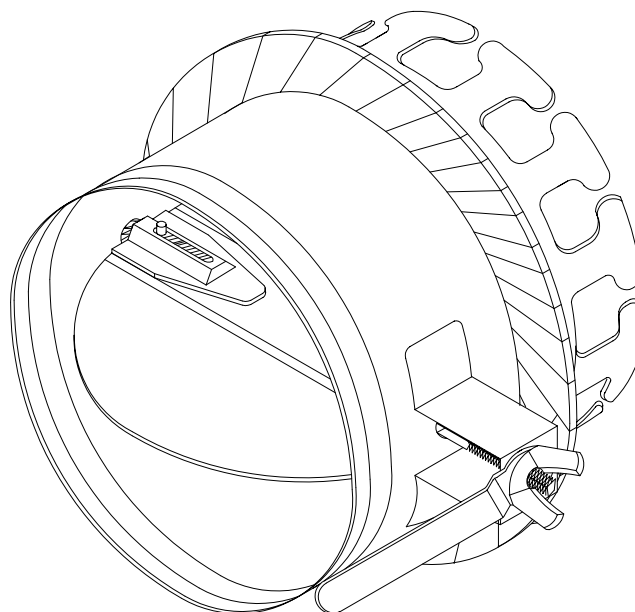
NEW - EASY BEND TABS (1/3 LESS TABS TO BEND)

3/4" OUTBOARD FLANGE INTERNALLY SEALED WITH HOT MELT MASTIC.

TABS ARE DESIGNED FOR 1" AND 1-1/2" THICK DUCT BOARD.

MANUAL VOLUME DAMPER: SIZES 4" - 10" HAVE 1/4" REGULATOR, SIZES 12" - 20" HAVE REINFORCED DAMPER AXIS AND 1/4" REGULATOR.

2" DAMPER HANDLE STANDOFF.



OPTIONS

SPECIAL NOTES

HOT MELT GASKET USED TO SEAL FLANGE BEARS FIRE HAZARD CLASS 1, FLAME SPREAD LESS THAN 25, SMOKE DENSITY LESS THAN 50.

RECOMMENDED INSTALLATION: DAMPER AXIS PARALLEL TO AIR FLOW.