



6390 Philips Highway
Jacksonville, FL 32216
Phone (904) 737-7144

SPECIFICATION DATA SHEET

MODEL No. 616-DG

TAB COLLAR WITH THERMA SEAL GASKET
AND MANUAL VOLUME DAMPER

Date: 10/20/09

Drawn by: M.D.C.

DIMENSIONAL DATA

SIZES AVAILABLE: 4" THROUGH 20" DIAMETER

COLLARS ARE 3" LONG FROM FLANGE TO EDGE OF COLLAR.

FABRICATION DATA

FABRICATED FROM HOT DIPPED GALVANIZED STEEL SHEET OF LOCK FORMING QUALITY PER ASTM-653 CS TYPE B.

SIZES 4" THROUGH 12" = 30 GAUGE
SIZES 14" THROUGH 20" = 28 GAUGE

FEATURES

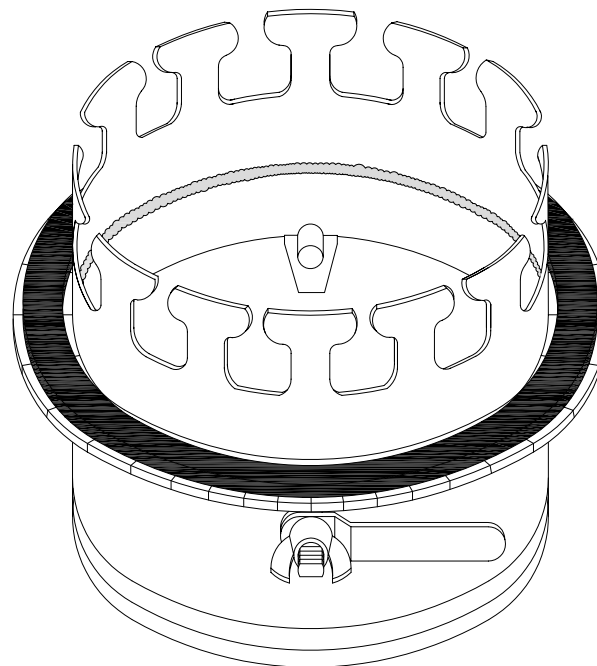
NEW - EASY BEND TABS (1/3 LESS TABS TO BEND)

3/4" OUTBOARD FLANGE INTERNALLY SEALED WITH HOT MELT MASTIC.

THERMA SEAL GASKET APPLIED TO THE OUTBOARD FLANGE.

TABS ARE DESIGNED FOR 1" AND 1-1/2" THICK DUCT BOARD.

MANUAL VOLUME DAMPER: SIZES 4" - 10" HAVE 1/4" REGULATOR, SIZES 12" - 20" HAVE REINFORCED DAMPER AXIS AND 1/4" REGULATOR.



OPTIONS

SPECIAL NOTES

RECOMMENDED INSTALLATION: DAMPER AXIS PARALLEL TO AIR FLOW.

HOT MELT MASTIC USED TO SEAL FLANGE BEARS FIRE HAZARD CLASS 1, FLAME SPREAD LESS THAN 25, SMOKE DENSITY LESS THAN 50.

THERMA SEAL GASKET ATTACHED TO OUTBOARD FLANGE BEARS FIRE HAZARD CLASS 1, FLAME SPREAD LESS THAN 25, SMOKE DENSITY LESS THAN 50.