



6390 Philips Highway  
Jacksonville, FL 32216  
Phone (904) 737-7144

## SPECIFICATION DATA SHEET

# TURNING VANE & RAIL

MODEL No. 490, 492, 498

Date: 4/04/05

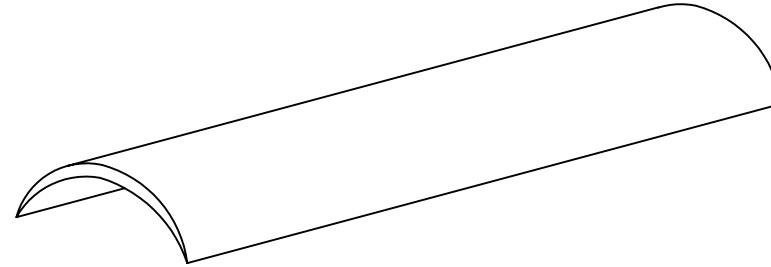
Drawn by: Don. Jr.

### DIMENSIONAL DATA

490: 4" TURNING VANE

492: 4" PUSH-ON RAIL

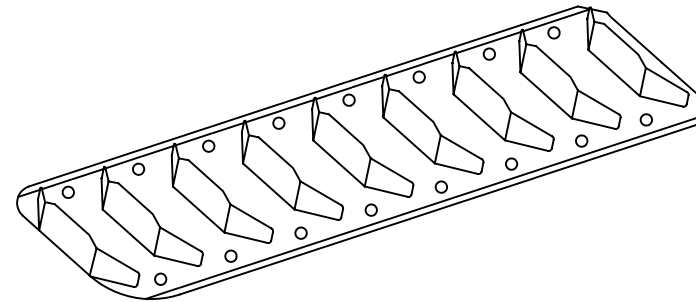
498: 2" PUSH-ON RAIL



### FABRICATION DATA

MATERIAL:  
FABRICATED FROM HOT DIPPED GALVANIZED  
STEEL SHEETS OF LOCK FORMING QUALITY  
PER ASTM-A653 CS TYPE B.

GAUGE: 24



### FEATURES

490: 4" VANE IS 5-1/2" WIDE, DOUBLE WALL.

VANE AND PUSH-ON RAIL SUPPLIED IN  
10-FT. SECTIONS.

### OPTIONS

### SPECIAL NOTES