



6390 Phillips Highway
Jacksonville, FL 32216
Phone (904) 737-7144

SPECIFICATION DATA SHEET

MODEL No. 450
UNIVERSAL ACCESS DOOR

Date: 3/07/02 rev.

Drawn by: Don. JR.

DIMENSIONAL DATA

STANDARD SIZES:

6" X 6"	14" X 14"	22" X 22"
8" X 8"	16" X 16"	24" X 24"
10" X 10"	18" X 18"	
12" X 12"	20" X 20"	

FABRICATION DATA

MATERIAL:
FABRICATED FROM HOT DIPPED GALVANIZED
STEEL SHEETS OF LOCK FORMING QUALITY
PER ASTM-A653 CS TYPE B.

DOOR CONSTRUCTION:
DOOR BODY AND FRAME = 24 GA. GALVANIZED
DOVETAILS = 26 GA. GALVANIZED

DOOR SIZES 6" X 6"- 16" X 16" ARE PROVIDED
WITH 2 CAM LOCKS. LARGER DOORS HAVE
4 CAM LOCKS.

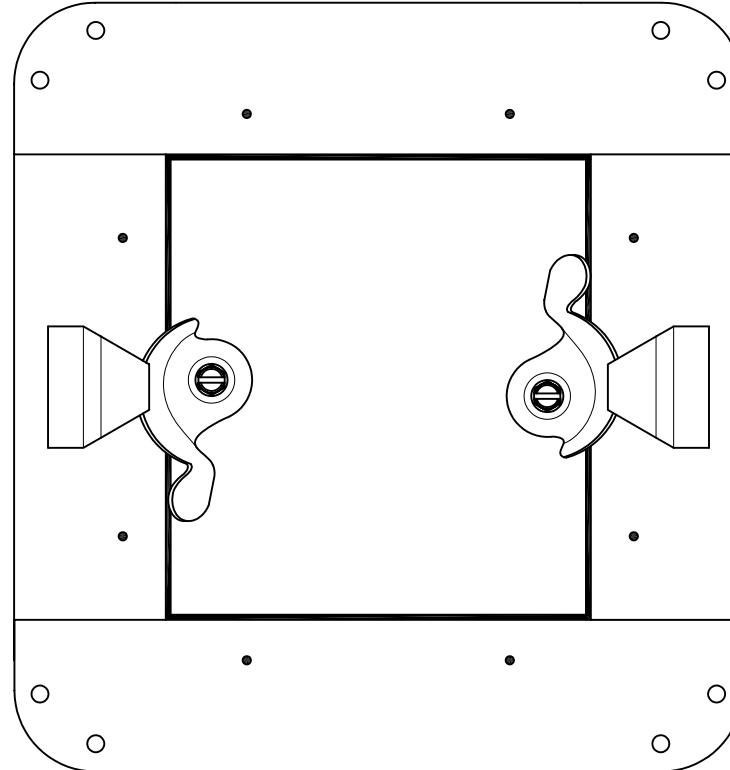
FEATURES

OUTER FLANGE IS FABRICATED WITH A
GASKET AND SCREW HOLES FOR EASY
INSTALLATION.

INNER FRAME AROUND DOOR IS FABRICATED
WITH A GASKET TO PROVIDE AN AIR TIGHT
SEAL.

DESIGNED FOR INSTALLATION IN SHEET
METAL OR 1" AND 1-1/2" DUCTBOARD.

DOOR INTERNALLY INSULATED WITH R-4
INSULATION.



OPTIONS

NON-STANDARD SIZES AVAILABLE UPON
REQUEST.

SPECIAL NOTES