



6390 Phillips Highway
Jacksonville, FL 32216
Phone (904) 737-7144

SPECIFICATION DATA SHEET

MODEL No. 406

STARTING COLLAR

Date: 12/27/02

Drawn by: B.H.C.

DIMENSIONAL DATA

STANDARD 8" LONG.

DOVETAIL IS STANDARD.

INSIDE TAP IS AVAILABLE FOR INTERNALLY INSULATED DUCT.

BUILT TO DESIGN SPECIFICATIONS.

FABRICATION DATA

MATERIAL:
FABRICATED FROM HOT-DIPPED GALVANIZED STEEL SHEET OF LOCK FORMING QUALITY PER ASTM A653 CS TYPE B.

GAUGES AVAILABLE:
28, 26, 24, 22, 20 AND 18 GAUGE.

PITTSBURGH LOCK LONGITUDINAL SEAM IS STANDARD.

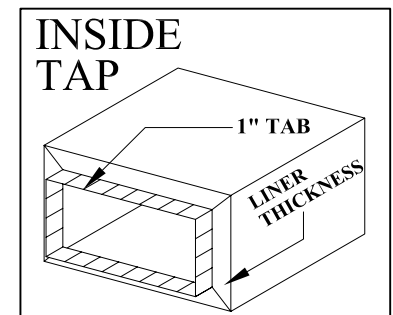
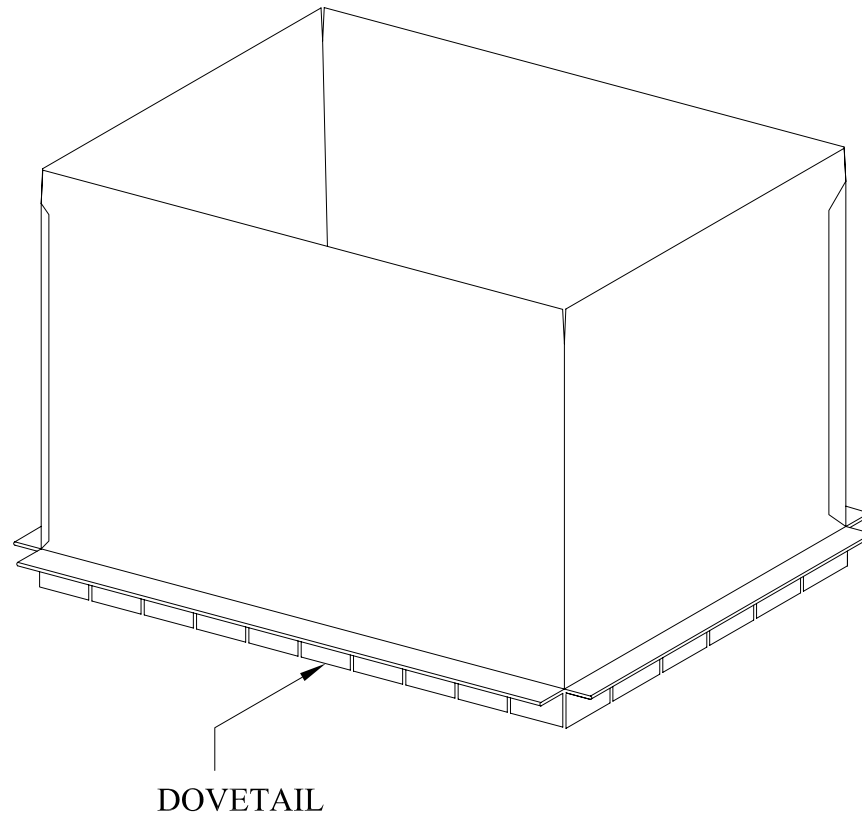
FEATURES

INTERNAL INSULATION AVAILABLE:
1/2", 1" OR 1-1/2" THICK.

ASSEMBLED, READY FOR INSTALLATION.

TRANSVERSE CONNECTIONS

ENDS STRAIGHT
FLANGES TURNED IN OR OUT
S-LOCK AND DRIVE
FLANGED BOLT TOGETHER



SPECIAL NOTES

18 GAUGE TO HAVE 1" FLANGE IN LIEU OF DOVETAIL.