



6390 Philips Highway  
Jacksonville, FL 32216  
Phone (904) 737-7144

## SPECIFICATION DATA SHEET

# MODEL No. 3720-DS

SPIN IN WITH MANUAL VOLUME DAMPER  
AND DAMPER HANDLE STANDOFF

Date: 10/19/09 rev.

Drawn by: M.D.C.

### DIMENSIONAL DATA

SIZES AVAILABLE: 4" THROUGH 20"

COLLAR LENGTH: 6"

### FABRICATION DATA

MATERIAL:  
HOT DIPPED GALVANIZED STEEL SHEET  
PER ASTM-A653 CS TYPE B.

#### GAUGES:

4" THROUGH 8" = 28 GAUGE

9" THROUGH 14" = 26 GAUGE

16" THROUGH 20" = 24 GAUGE

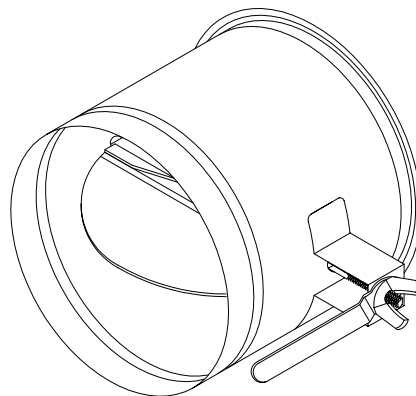
### FEATURES

FABRICATED WITH CONTINUOUS WELD  
LONGITUDINAL SEAM FOR NO AIR LEAKAGE  
AT 2" W.G. STATIC PRESSURE.

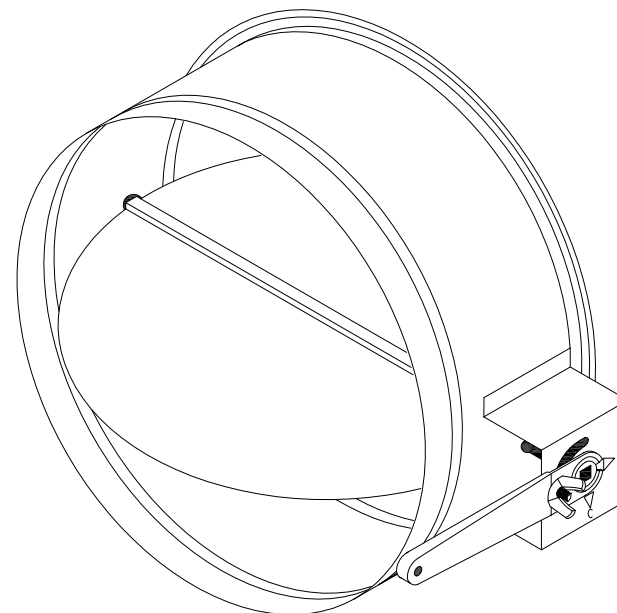
SIZES 4" THROUGH 12" HAVE A REINFORCED  
DAMPER AXIS WITH 1/4" REGULATOR.

SIZES 14" THROUGH 20" HAVE A 3/8" CONTINUOUS  
ROD DAMPER AXIS WITH NYLON GROMMETS  
INSTALLED AT SLEEVE PENETRATIONS.

2" DAMPER HANDLE STANDOFF TO ALLOW  
CLEARANCE FOR EXTERNAL INSULATION.



CONFIGURATION OF  
4" THROUGH 12" DIAMETERS



CONFIGURATION OF  
14" THROUGH 20" DIAMETERS

### OPTIONS

NO. 3720: SPIN IN.

NO. 3720-D: SPIN IN WITH DAMPER

NO. 3720-DS W/ SCOOP: SPIN IN WITH DAMPER,  
STANDOFF AND SCOOP.

### SPECIAL NOTES

RECOMMENDED INSTALLATION: DAMPER AXIS PARALLEL TO AIR FLOW.

MADE TO MEET S.M.A.C.N.A. GAUGE STANDARDS. MAXIMUM 2" W.G. STATIC PRESSURE SCHEDULE.  
(S.M.A.C.N.A. HVAC DUCT CONSTRUCTION STANDARDS, SECOND EDITION-1995)