



6390 Phillips Highway
 Jacksonville, FL 32216
 Phone (904) 737-7144

SPECIFICATION DATA SHEET

MODEL No. 353

**ROOF JACK for REFRIGERANT LINES
 (FLAT ROOF)**

Date: 05/28/08 rev.

Drawn by: M.D.C.

DIMENSIONAL DATA

SIZES AVAILABLE	"A"	"C"
4" x 4"	4"	3"
6" x 6"	6"	3"
8" x 8"	8"	5"
10" x 10"	10"	5"

8" OR 12" THROAT HEIGHT "B" AVAILABLE IN ALL SIZES.

FABRICATION DATA

FABRICATED FROM HOT DIPPED GALVANIZED STEEL SHEET OF LOCK FORMING QUALITY PER ASTM-A653 CS TYPE B.

- 4" x 4" = 28 GAUGE
- 6" x 6" = 26 GAUGE
- 8" x 8" = 26 GAUGE
- 10" x 10" = 26 GAUGE

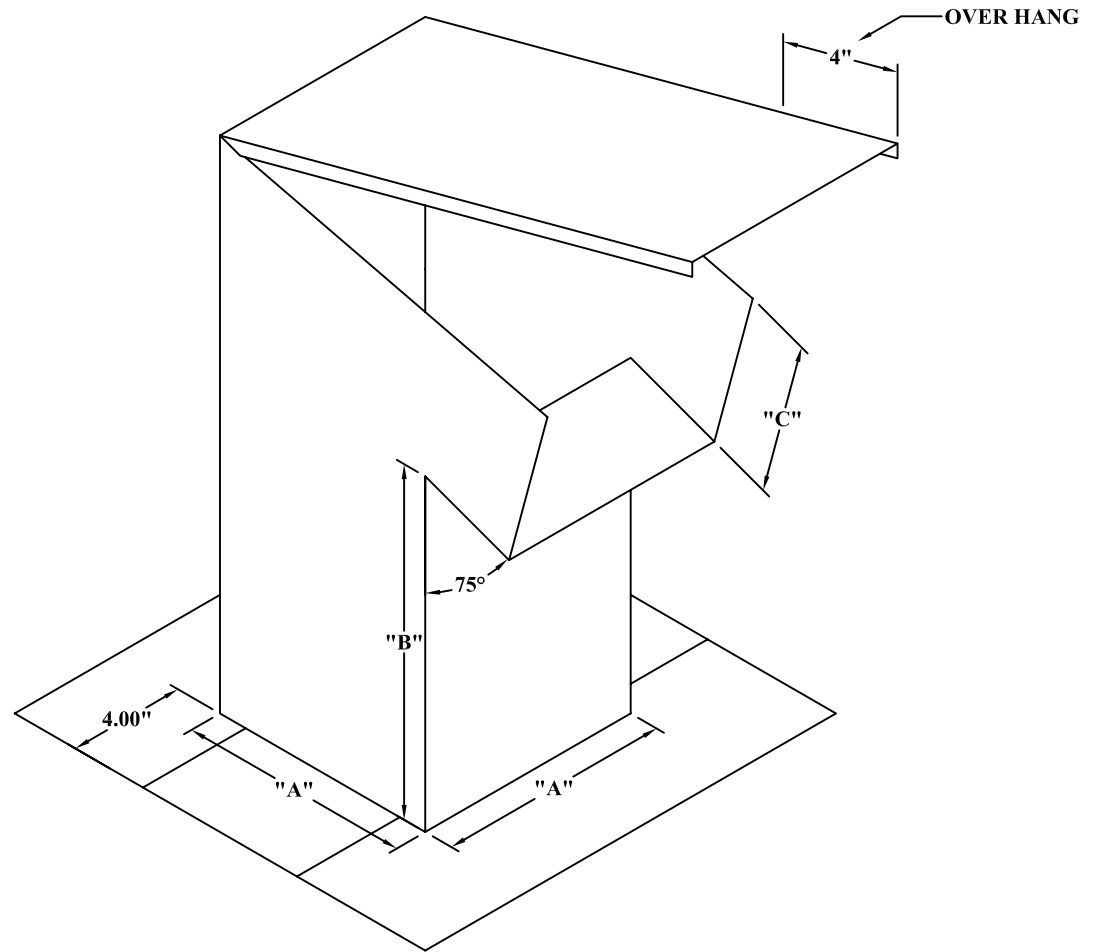
FEATURES

SEAMS SEALED WITH SILICONE SEALANT.

"FLIP TOP" DESIGNED TO EASE INSTALLATION OF REFRIGERANT LINES.

4" OVER HANG FOR ADDITIONAL COVERAGE OF REFRIGERANT LINES.

FOR FLAT ROOF.



OPTIONS

SPECIAL NOTES

WE DO NOT WARRANT THESE ROOF MOUNTED FITTINGS TO BE LEAK-PROOF AGAINST ALL WEATHER CONDITIONS.
 WE DO NOT GUARANTEE THE FITTINGS WILL PREVENT RAIN WATER INTRUSION FROM WIND BLOWN RAIN OR TORRENTIAL STORM CONDITIONS.
 ADDITIONAL SEALING MIGHT BE NECESSARY AT THE DISCRETION OF THE INSTALLER.