



6390 Phillips Highway  
 Jacksonville, FL 32216  
 Phone (904) 737-7144

**SPECIFICATION DATA SHEET**

**MODEL No. 350**

**ROOF CAP  
 with ROUND COLLAR IN PLATE**

Date: 12/08/06 rev.

Drawn by: M.D.C.

**DIMENSIONAL DATA**

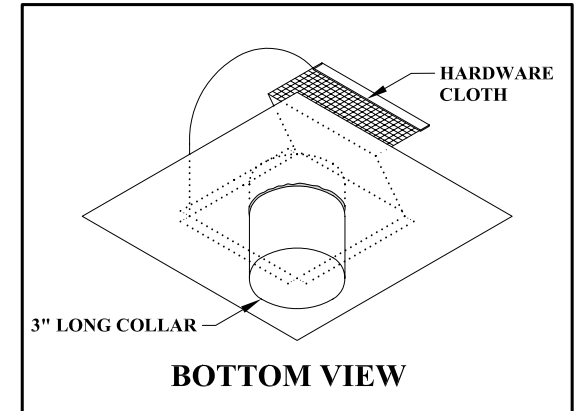
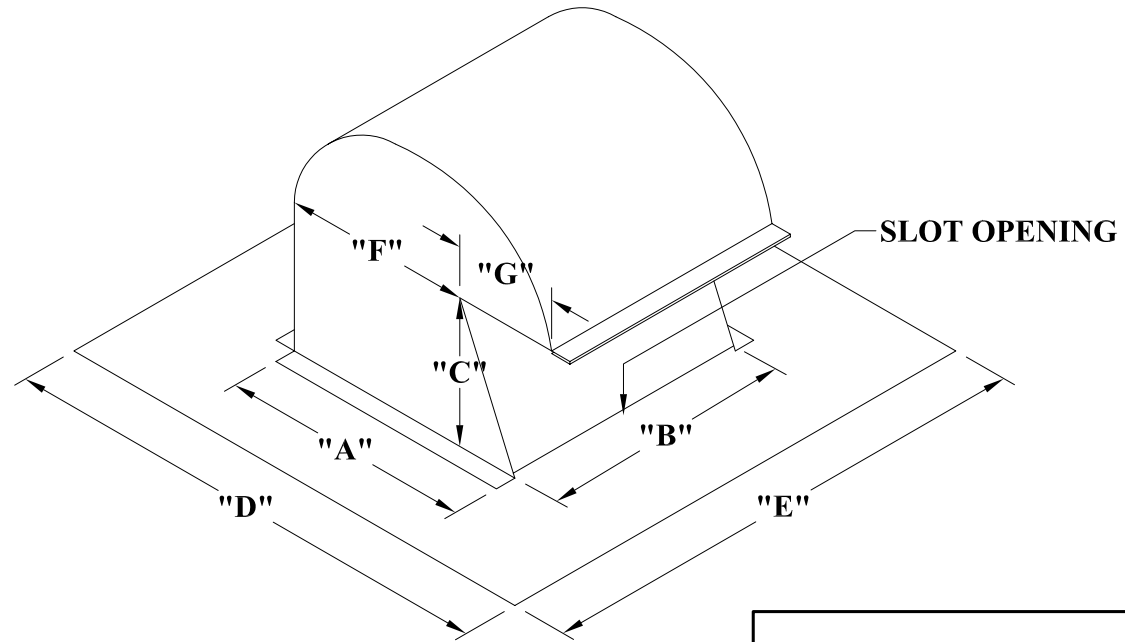
SIZE	3"	4"	5"	6"	7"	10"
"A"	6"	6"	8"	8"	8"	11"
"B"	6"	6"	8"	8"	8"	11"
"C"	3-1/2"	3-1/2"	5"	5"	5"	5"
"D"	12"	12"	14"	14"	14"	17"
"E"	12"	12"	14"	14"	14"	17"
"F"	4-1/2"	4-1/2"	5"	5"	5"	7"
"G"	2-1/2"	2-1/2"	4"	4"	4"	4"

**FABRICATION DATA**

MATERIAL: 28 GAUGE GALVANIZED STEEL SHEET.

**FEATURES**

- 1/4" GALVANIZED STEEL HARDWARE CLOTH INSTALLED IN EXHAUST OPENING.
- ROUND COLLAR INSTALLED IN BOTTOM PLATE.
- ROUND COLLAR IS SEALED ON TOP SIDE OF OF PLATE WITH SILICONE SEALANT.
- SLOT OPENING FOR WATER DRAINAGE.



**OPTIONS**

**SPECIAL NOTES**

WE DO NOT WARRANT THESE ROOF MOUNTED FITTINGS TO BE LEAK-PROOF AGAINST ALL WEATHER CONDITIONS.  
 WE DO NOT GUARANTEE THE FITTINGS WILL PREVENT RAIN WATER INTRUSION FROM WIND BLOWN RAIN OR TORRENTIAL STORM CONDITIONS.  
 ADDITIONAL SEALING MIGHT BE NECESSARY AT THE DISCRETION OF THE INSTALLER.