



6390 Phillips Highway  
 Jacksonville, FL 32216  
 Phone (904) 737-7144

**SPECIFICATION DATA SHEET**

**MODEL No. 341-P**

**ROOF JACK FOR PITCHED ROOF**

Date: 05/28/08 rev.

Drawn by: M.D.C.

**DIMENSIONAL DATA**

"A"	"B"	"C"
4"	6"	12"
5"	7"	13"
6"	8"	14"
7"	9"	15"
8"	10"	16"
9"	11"	17"
10"	14"	20"

"H" = MINIMUM 10"

STANDARD 4/12 PITCH

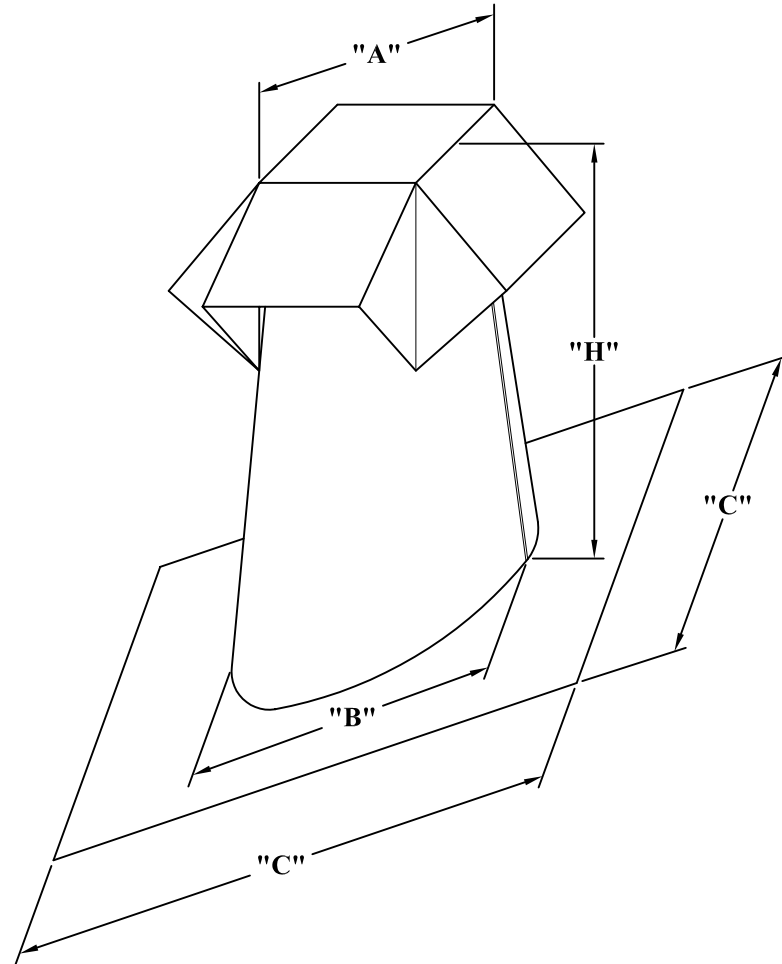
**FABRICATION DATA**

MATERIAL: 28 GAUGE GALVANIZED STEEL SHEET PER ASTM A653 CS TYPE B.

**FEATURES**

2" AIR SPACE FROM TOP OF CONE TO CAP.

CONE SPOT WELDED TO FLASHING AND SEALED WITH SILICONE SEALANT.



SPECIFY "A" DIMENSION WHEN ORDERING.

**OPTIONS**

**SPECIAL NOTES**

WE DO NOT WARRANT THESE ROOF MOUNTED FITTINGS TO BE LEAK-PROOF AGAINST ALL WEATHER CONDITIONS.

WE DO NOT GUARANTEE THE FITTINGS WILL PREVENT RAIN WATER INTRUSION FROM WIND BLOWN RAIN OR TORRENTIAL STORM CONDITIONS.

ADDITIONAL SEALING MIGHT BE NECESSARY AT THE DISCRETION OF THE INSTALLER.