



6390 Phillips Highway  
 Jacksonville, FL 32216  
 Phone (904) 737-7144

**SPECIFICATION DATA SHEET**

**MODEL No. 336**

**ROOF FLASHING**

Date: 05/28/08 rev.

Drawn by: M.D.C.

**DIMENSIONAL DATA**

"A"	"B"	"C"
3"	7"	13"
4"	8"	14"
5"	9"	15"
6"	10"	16"
7"	12"	18"
8"	12"	18"
9"	14"	20"
10"	14"	20"
12"	16"	22"
14"	20"	26"
16"	22"	29"
18"	26"	34"

"D" = 4" MINIMUM

**FABRICATION DATA**

FABRICATED FROM HOT DIPPED GALVANIZED STEEL SHEET OF LOCK FORMING QUALITY PER ASTM A653 CS TYPE B.

**GAUGES:**

- 3" THROUGH 8" : 28 GAUGE
- 9" THROUGH 12" : 26 GAUGE
- 14" THROUGH 18" : 24 GAUGE

**FEATURES**

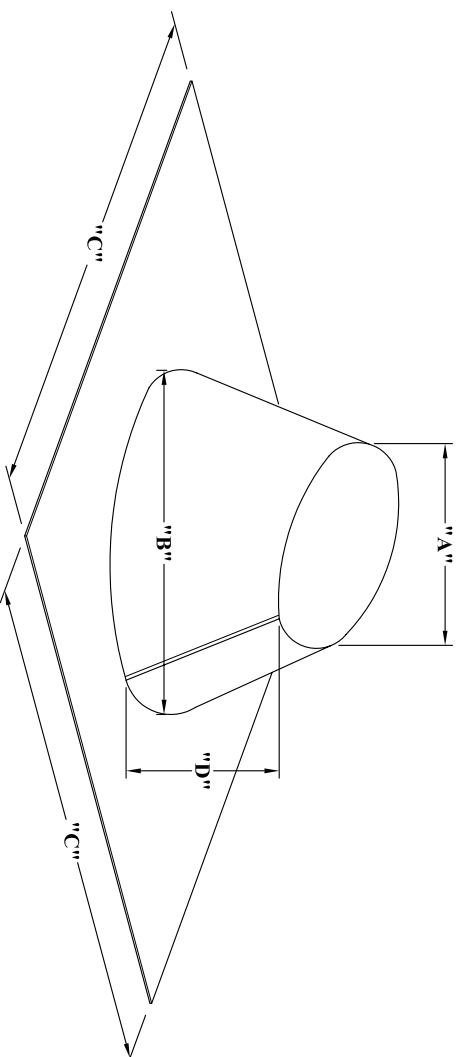
CONE SPOT WELDED TO FLASHING AND SEALED WITH SILICONE SEALANT.

CONTINUOUS WELD LONGITUDINAL SEAM.

4/12 PITCH STANDARD.

**OPTIONS**

TALL CONE FLASHINGS FOR FLAT ROOFS. AVAILABLE FOR OTHER ROOF PITCHES.



**SPECIAL NOTES**

WE DO NOT WARRANT THESE ROOF MOUNTED FITTINGS TO BE LEAK-PROOF AGAINST ALL WEATHER CONDITIONS.  
 WE DO NOT GUARANTEE THE FITTINGS WILL PREVENT RAIN WATER INTRUSION FROM WIND BLOWN RAIN OR TORRENTIAL STORM CONDITIONS.  
 ADDITIONAL SEALING MIGHT BE NECESSARY AT THE DISCRETION OF THE INSTALLER.

ORDER BY "A" DIMENSION.