



6390 Philips Highway
 Jacksonville, FL 32216
 Phone (904) 737-7144

SPECIFICATION DATA SHEET

Date: 10/05/09 rev.

Drawn by: M.D.C.

MODEL No. 3210-DS

**CONICAL TAKEOFF WITH GASKET RING,
 MANUAL VOLUME DAMPER WITH
 DAMPER HANDLE STANDOFF**

DIMENSIONAL DATA

SIZES AVAILABLE: 4" THROUGH 20" DIAMETER
 ORDER BY BRANCH DUCT DIMENSION.
 HOLE DIMENSION CUT IN TRUNK DUCT IS
 2" GREATER THAN BRANCH DUCT.

FABRICATION DATA

MATERIAL:
 FABRICATED FROM HOT DIPPED GALVANIZED
 STEEL SHEETS PER ASTM-A653 CS TYPE B.

GAUGES:
 4" THROUGH 8" = 28 GAUGE
 9" THROUGH 14" = 26 GAUGE
 16" THROUGH 20" = 24 GAUGE

FEATURES

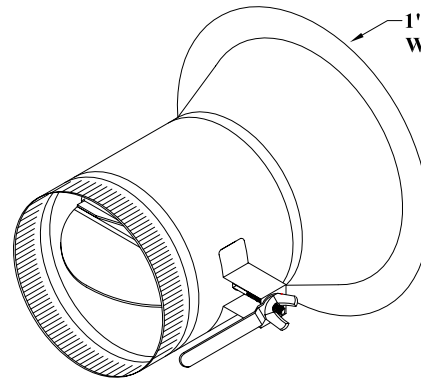
CONTINUOUS WELD LONGITUDINAL SEAM
 FOR NO AIR LEAKAGE AT 2" W.G. STATIC
 PRESSURE.
 1" WIDE FLANGE WITH GASKET AND
 PRE-DRILLED SCREW HOLES FOR EASE OF
 INSTALLATION.
 5 3/8" LONG COLLAR.
 SIZES 4" THROUGH 12": REINFORCED DAMPER
 AXIS WITH 1/4" REGULATOR, END BEARING
 WITH WASHER AND WING NUT.
 SIZES 14" THROUGH 20": 3/8" CONTINUOUS ROD
 DAMPER AXIS WITH LOCKING REGULATOR,
 NYLON GROMMETS INSTALLED AT THE
 COLLAR PENETRATIONS.
 2" DAMPER HANDLE STANDOFF.

OPTIONS

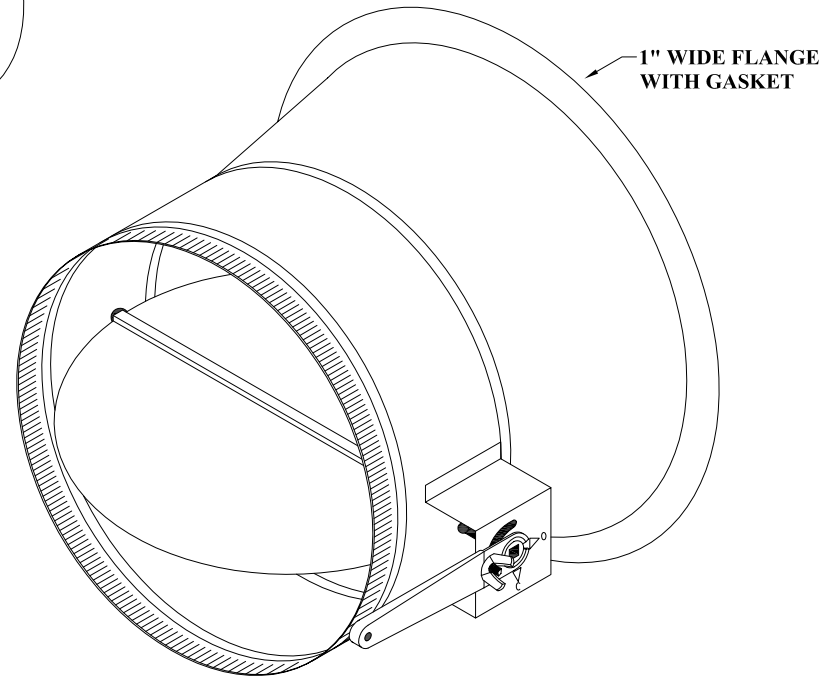
No. 3210: CONICAL TAKEOFF
 No. 3210-D: CONICAL TAKEOFF WITH MANUAL
 VOLUME DAMPER
 No. 3210-DS2: CONICAL TAKEOFF WITH SOLID ROD
 DAMPER AXIS SIZES 4" - 12"

SPECIAL NOTES

RECOMMENDED INSTALLATION: DAMPER AXIS PARALLEL TO AIR FLOW.
 MADE TO MEET S.M.A.C.N.A. GAUGE STANDARDS. MAXIMUM 2" W.G. STATIC PRESSURE SCHEDULE.
 (S.M.A.C.N.A. HVAC DUCT CONSTRUCTION STANDARDS, SECOND EDITION-1995)
 AVAILABLE: SIZES 4" - 8" FABRICATED FROM 26 GAUGE GALVANIZED STEEL (SPECIAL ORDER).



**CONFIGURATION OF
 4" THROUGH 12" DIAMETERS**



**CONFIGURATION OF
 14" THROUGH 20" DIAMETERS**