



6390 Philips Highway
Jacksonville, FL 32216
Phone (904) 737-7144

SPECIFICATION DATA SHEET

MODEL No. 3200-DS

CONICAL SPIN-IN
MANUAL VOLUME DAMPER with
DAMPER HANDLE STANDOFF

Date: 10/09/09 rev.

Drawn by: M.D.C.

DIMENSIONAL DATA

SIZES AVAILABLE: 4" THROUGH 20"

CONICAL CONNECTION HOLE TO TRUNK DUCT IS APPROXIMATELY 2" GREATER THAN BRANCH DUCT DIMENSION.

5 3/8" LONG COLLAR.

FABRICATION DATA

MATERIAL:
HOT DIPPED GALVANIZED STEEL SHEET
PER ASTM-A653 CS TYPE B.

GAUGES:
4" THROUGH 8" = 28 GAUGE
9" THROUGH 14" = 26 GAUGE
16" THROUGH 20" = 24 GAUGE

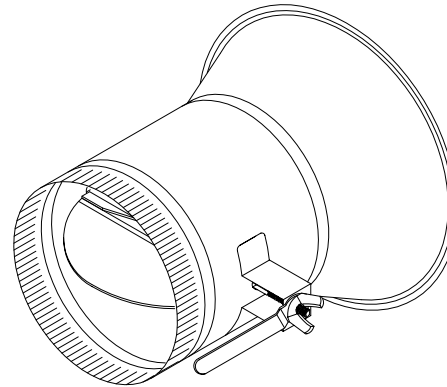
FEATURES

CONTINUOUS WELD LONGITUDINAL SEAM FOR NO AIR LEAKAGE @ 2" W.G. STATIC PRESSURE.

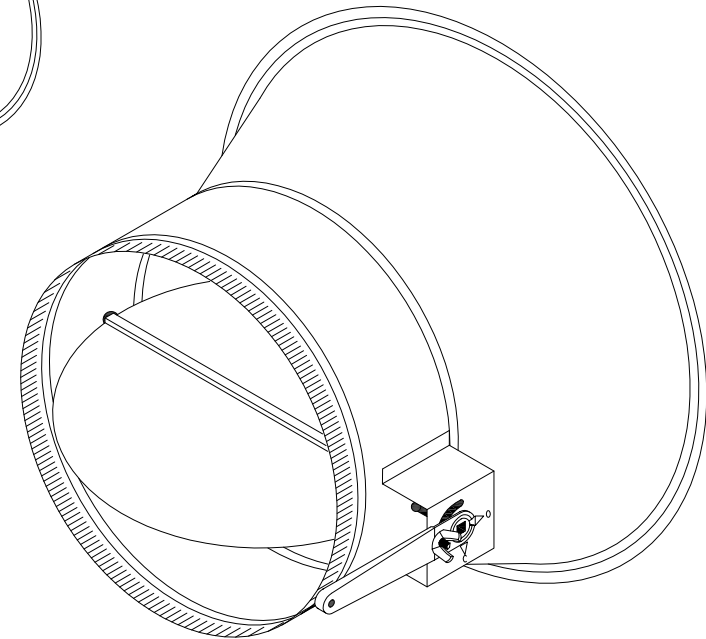
2" DAMPER HANDLE STANDOFF TO ALLOW CLEARANCE FOR EXTERNAL INSULATION.

SIZES 4" THROUGH 12": REINFORCED DAMPER AXIS WITH 1/4" REGULATOR, END BEARING WITH WASHER AND WING NUT.

SIZES 14" THROUGH 20": 3/8" CONTINUOUS ROD DAMPER AXIS WITH LOCKING REGULATOR, NYLON GROMMETS INSTALLED AT THE COLLAR PENETRATIONS.



CONFIGURATION OF
4" THROUGH 12" DIAMETERS



CONFIGURATION OF
14" THROUGH 20" DIAMETERS

OPTIONS

No. 3200: CONICAL SPIN-IN

No. 3200-D: CONICAL SPIN-IN WITH MANUAL VOLUME DAMPER

No. 3200-DS2: CONICAL SPIN-IN WITH SOLID ROD DAMPER AXIS SIZES 4" - 12"

SPECIAL NOTES

NOTE BRANCH DUCT DIMENSION WHEN ORDERING.

RECOMMENDED INSTALLATION: DAMPER AXIS PARALLEL TO AIR FLOW.

MADE TO MEET S.M.A.C.N.A. GAUGE STANDARDS. MAXIMUM 2" W.G. STATIC PRESSURE SCHEDULE. (S.M.A.C.N.A. HVAC DUCT CONSTRUCTION STANDARDS, SECOND EDITION-1995)