



6390 Philips Highway
 Jacksonville, FL 32216
 Phone (904) 737-7144

SPECIFICATION DATA SHEET

MODEL No. 315-DSO

**TAKE OFF COLLAR FOR ROUND PIPE
 WITH PEEL OFF GASKET, MANUAL VOLUME DAMPER
 AND DAMPER HANDLE STANDOFF**

Date: 10/23/09

Drawn by: M.D.C.

DIMENSIONAL DATA

| DIAMETER | TO FIT PIPE SIZE |
|----------|------------------|
| 4" | 8" |
| 5" | 8" |
| 6" | 10", 12", 14" |
| 7" | 10", 12", 14" |
| 8" | 10", 12" |
| 9" | 12", 14", 16" |
| 10" | 12", 14", 16" |
| 12" | 14", 16", 18" |
| 14" | 16", 18", 20" |
| 16" | 18", 20" |

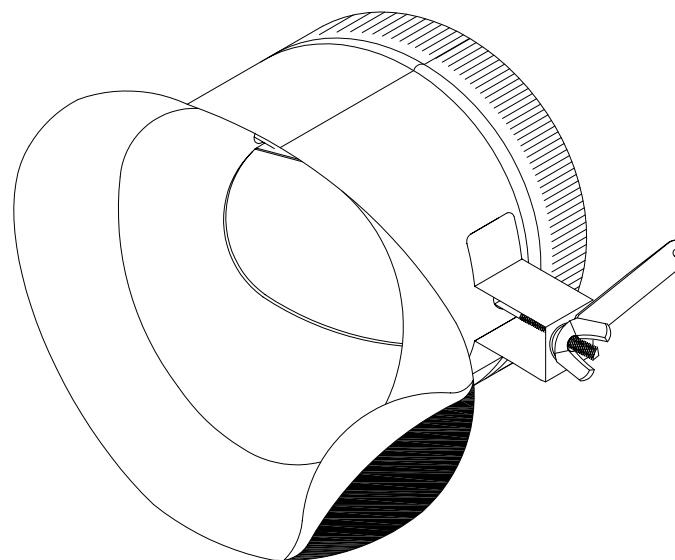
FABRICATION DATA

MATERIAL:
 HOT DIPPED GALVANIZED STEEL SHEET
 PER ASTM-A653 CS TYPE B.

GAUGES:
 4" THROUGH 9" = 30 GAUGE
 10" THROUGH 16" = 28 GAUGE

FEATURES

1 1/2" WIDE CONTOURED FLANGE WITH GASKET
 DESIGNED TO MOUNT ON ROUND PIPE.
 CRIMPED MALE CONNECTION FOR BRANCH DUCT.
 GASKET HAS PEEL-OFF PAPER.
 MANUAL VOLUME DAMPER INSTALLED.
 2" DAMPER HANDLE STANDOFF.



OPTIONS

- No. 311: TAKE OFF FOR PIPE WITH GASKET
- No. 313: TAKEOFF FOR PIPE WITH GASKET AND SCOOP.
- No. 317: TAKEOFF FOR PIPE WITH GASKET, SCOOP AND MANUAL VOLUME DAMPER.

SPECIAL NOTES

RECOMMENDED INSTALLATION: DAMPER AXIS PARALLEL TO AIR FLOW.
 SIZES 4" THROUGH 10" HAVE DAMPER WITH 1/4" REGULATOR.
 SIZES 12" THROUGH 16" HAVE REINFORCED DAMPER AXIS WITH 1/4" REGULATOR, END BEARING WITH WASHER AND WING NUT.