



6390 Phillips Highway
Jacksonville, FL 32216
Phone (904) 737-7144

SPECIFICATION DATA SHEET

MODEL No. 309

SIDE TAKEOFF

Date: 11/27/02 rev. Drawn by: M.D.C.

DIMENSIONAL DATA

DIAMETER	RECT. HOLE DIMENSION
4"	4" x 6"
5"	6" x 8"
6"	6" x 10"
7"	6" x 11"
8"	6" x 12"
9"	6" x 14"
10"	7" x 14"
12"	9" x 16-1/2"
14"	9" x 18"

FABRICATION DATA

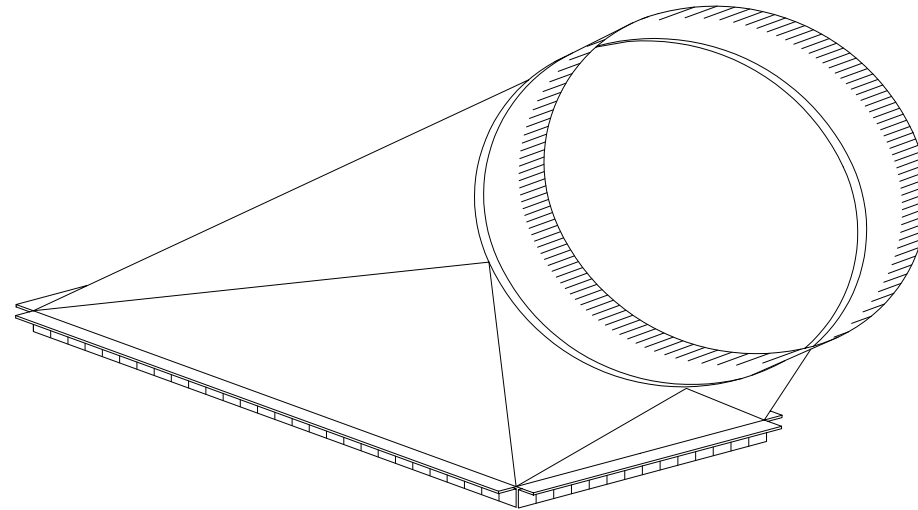
MATERIAL:
HOT DIPPED GALVANIZED STEEL SHEET OF
LOCK FORMING QUALITY PER ASTM-653 CS
TYPE B.

4" THROUGH 9" = 30 GAUGE
10" THROUGH 12" = 28 GAUGE
14" = 26 GAUGE

FEATURES

RECTANGULAR END FLANGED WITH STRAIGHT
TABS FOR CONNECTION TO RECTANGULAR
TRUNK DUCT.

ROUND END CRIMPED FOR BRANCH PIPE.



OPTIONS

SPECIAL NOTES