



6390 Philips Highway
Jacksonville, FL 32216
Phone (904) 737-7144

SPECIFICATION DATA SHEET

Model No. 244-F

CENTER END BOOT with DRYWALL FLANGE

Date: 03/04/05

Drawn by: M.D.C.

DIMENSIONAL DATA

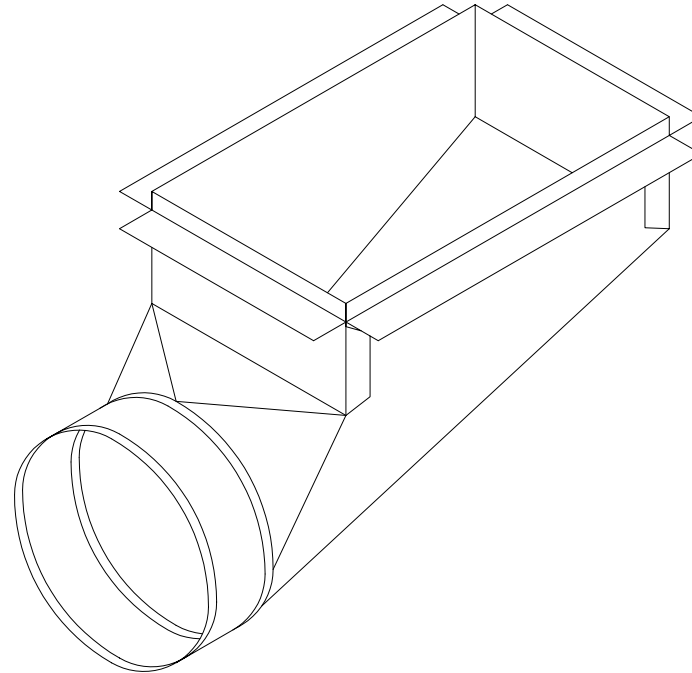
SIZED TO FIT STANDARD REGISTER SIZES.
VARIOUS DIAMETER COLLARS AVAILABLE.
3" STRAIGHT ON RECTANGULAR END.

FABRICATION DATA

MATERIAL:
30 GAUGE GALVANIZED STEEL SHEET PER
ASTM A653 CS TYPE B.

FEATURES

1/2" DRYWALL FLANGE ON RECTANGULAR END.
ROUND COLLAR HAS HEMMED EDGE.



OPTIONS

HEAVIER GAUGE STEEL AVAILABLE.

SPECIAL NOTES