



6390 Phillips Highway
 Jacksonville, FL 32216
 Phone (904) 737-7144

SPECIFICATION DATA SHEET

MODEL No. 244

CENTER END BOOT

Date: 12/26/02 rev.

Drawn by: M.D.C.

DIMENSIONAL DATA

STANDARD SIZES AVAILABLE:

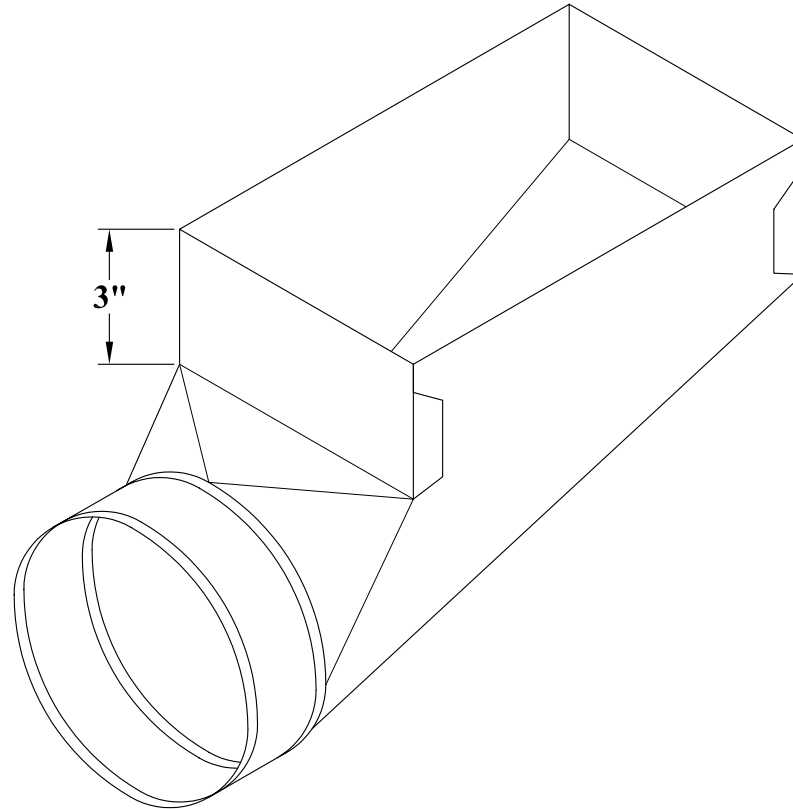
- | | |
|-----------------------|-------------------------|
| 2-1/4" x 10" - 5", 6" | 10" x 10" - 7", 8" |
| 2-1/4" x 12" - 5", 6" | 12" x 4" - 5", 6", 7" |
| 2-1/4" x 14" - 6", 7" | 12" x 6" - 6", 7", 8" |
| 6" x 6" - 5", 6" | 12" x 8" - 7", 8" |
| 8" x 4" - 4", 5" | 12" x 10" - 8", 9", 10" |
| 8" x 6" - 5", 6", 7" | 12" x 12" - 8", 9", 10" |
| 8" x 8" - 6", 7", 8" | 14" x 4" - 6", 7", 8" |
| 10" x 4" - 5", 6", 7" | 14" x 6" - 6", 7", 8" |
| 10" x 6" - 5", 6", 7" | 14" x 8" - 8", 9" |
| 10" x 8" - 7", 8" | |

FABRICATION DATA

MATERIAL:
 30 GAUGE GALVANIZED STEEL SHEET PER
 ASTM A653 CS TYPE B.

FEATURES

3" STRAIGHT AWAY ON RECTANGULAR END.
 ROUND COLLAR HAS HEMMED EDGE.



OPTIONS

OTHER SIZES AND GAUGES AVAILABLE.

SPECIAL NOTES