



6390 Phillips Highway
Jacksonville, FL 32216
Phone (904) 737-7144

SPECIFICATION DATA SHEET

MODEL No. 243-F

**90 DEGREE ANGLE BOOT
with DRYWALL FLANGE**

Date: 3/07/05

Drawn by: Don. JR.

DIMENSIONAL DATA

SIZED TO FIT STANDARD REGISTER SIZES.
VARIOUS DIAMETER COLLARS AVAILABLE.
3" STRAIGHT ON RECTANGULAR END.

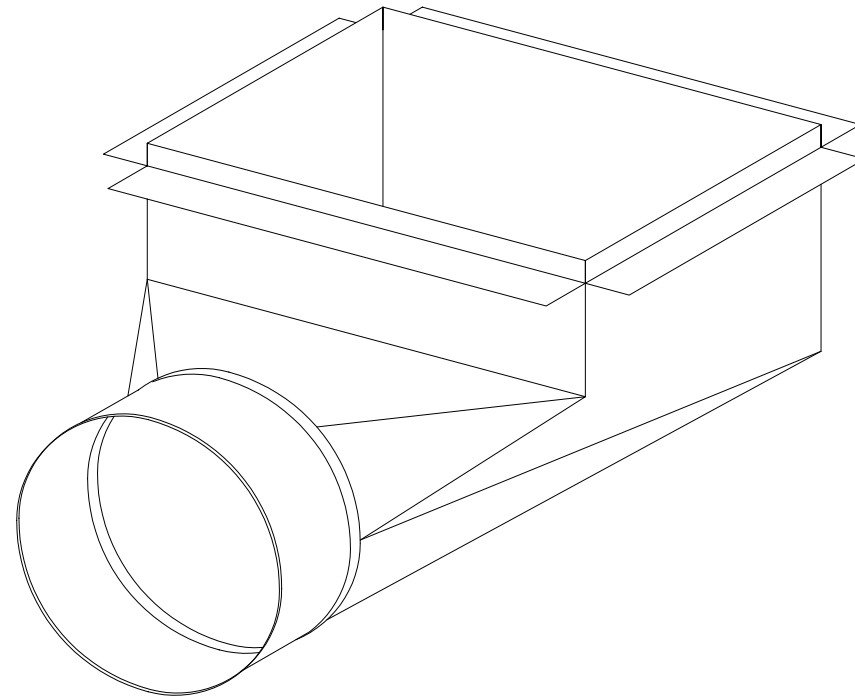
FABRICATION DATA

MATERIAL:
FABRICATED FROM HOT DIPPED GALVANIZED
STEEL SHEETS OF LOCK FORMING QUALITY
PER ASTM-A653 CS TYPE B.

GAUGES:
ALL SIZES = 30 GAUGE

FEATURES

1/2" DRYWALL FLANGE ON RECTANGULAR END.
ROUND COLLAR HAS HEMMED EDGE.



OPTIONS

HEAVIER GAUGE STEEL AVAILABLE.

SPECIAL NOTES