



6390 Phillips Highway  
 Jacksonville, FL 32216  
 Phone (904) 737-7144

**SPECIFICATION DATA SHEET**

**MODEL No. 243**

**90 DEGREE ANGLE BOOT**

Date: 2/20/02 rev.

Drawn by: Don. JR.

**DIMENSIONAL DATA**

STANDARD SIZES AVAILABLE:

- |                       |                         |
|-----------------------|-------------------------|
| 2-1/4" x 10" - 5", 6" | 10" x 8" - 7", 8"       |
| 2-1/4" x 12" - 5", 6" | 10" x 10" - 7", 8"      |
| 2-1/4" x 14" - 6", 7" | 12" x 4" - 5", 6", 7"   |
| 6" x 6" - 5", 6"      | 12" x 6" - 6", 7", 8"   |
| 8" x 4" - 4", 5"      | 12" x 8" - 7", 8"       |
| 8" x 6" - 5", 6", 7"  | 12" x 10" - 8", 9", 10" |
| 8" x 8" - 6", 7", 8"  | 14" x 4" - 6", 7", 8"   |
| 10" x 4" - 5", 6", 7" | 14" x 6" - 6", 7", 8"   |
| 10" x 6" - 5", 6", 7" | 14" x 8" - 8", 9"       |

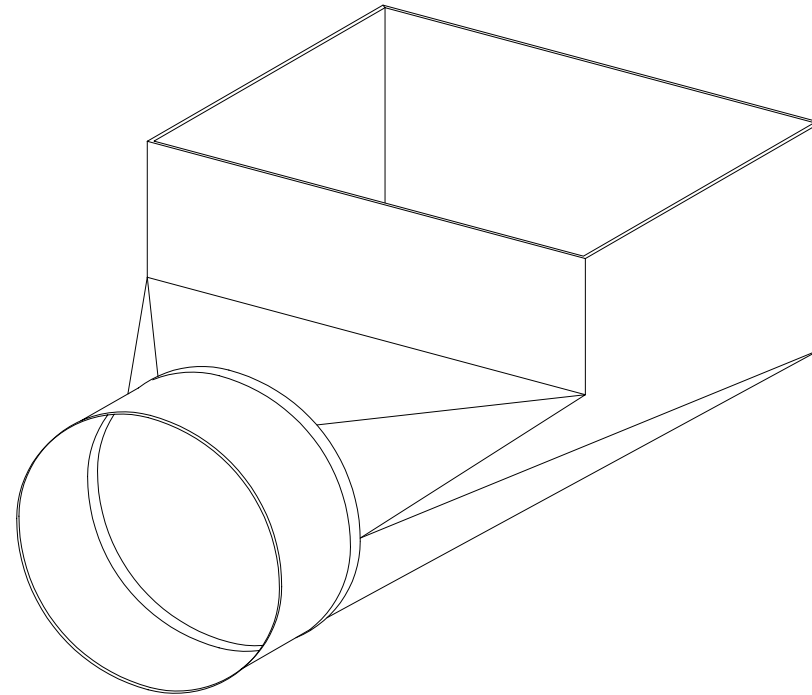
**FABRICATION DATA**

MATERIAL:  
 FABRICATED FROM HOT DIPPED GALVANIZED  
 STEEL SHEETS OF LOCK FORMING QUALITY  
 PER ASTM-A653 CS TYPE B.

GAUGES:  
 ALL SIZES = 30 GAUGE

**FEATURES**

3" STRAIGHT ON RECTANGULAR END  
 ROUND COLLAR HAS STRAIGHT (RAW)  
 FEMALE CONNECTION.



**OPTIONS**

**SPECIAL NOTES**