



6390 Phillips Highway
 Jacksonville, FL 32216
 Phone (904) 737-7144

SPECIFICATION DATA SHEET

MODEL No. 241

STRAIGHT BOOT

Date: 12/23/02 rev.

Drawn by: M.D.C.

DIMENSIONAL DATA

STANDARD SIZES AVAILABLE:

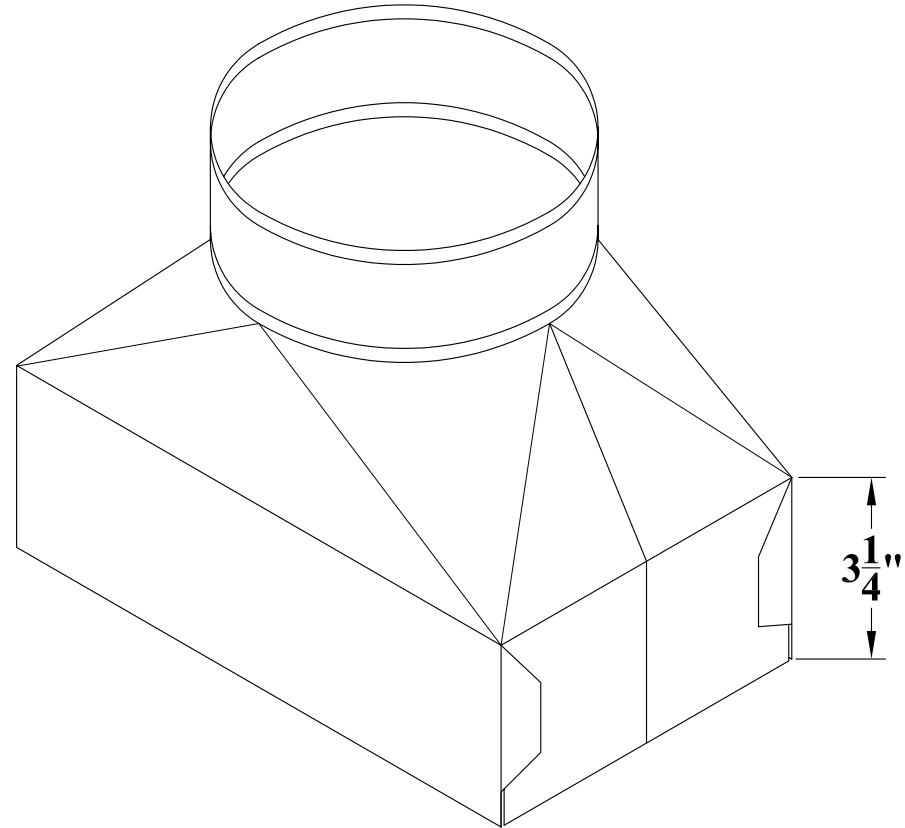
2-1/4" x 10" - 4", 5"	12" x 4" - 5", 6", 7"
2-1/4" x 12" - 5", 6"	12" x 6" - 6", 7", 8"
2-1/4" x 14" - 6", 7"	12" x 8" - 7", 8"
6" x 6" - 5", 6"	12" x 10" - 8", 9", 10"
8" x 4" - 4", 5"	12" x 12" - 8", 9", 10"
8" x 6" - 5", 6", 7"	14" x 4" - 6", 7", 8"
8" x 8" - 6", 7", 8"	14" x 6" - 6", 7", 8"
10" x 4" - 5", 6", 7"	14" x 8" - 8", 9"
10" x 6" - 5", 6", 7"	14" x 10" - 8", 9"
10" x 8" - 7", 8"	14" x 12" - 10", 12"
10" x 10" - 7", 8"	14" x 14" - 10", 12"

FABRICATION DATA

MATERIAL:
 30 GAUGE GALVANIZED STEEL SHEET PER
 ASTM A653 CS TYPE B.

FEATURES

3-1/4" STRAIGHT AWAY ON RECTANGULAR END.
 ROUND COLLAR HAS HEMMED EDGE.



OPTIONS

OTHER SIZES AND GAUGES AVAILABLE.
 No. 480 SQUARE TO ROUND TRANSITION.

SPECIAL NOTES