



6390 Phillips Highway
Jacksonville, FL 32216
Phone (904) 737-7144

SPECIFICATION DATA SHEET

MODEL No. 232

RANGE HOOD TRANSITION

Date: 06/27/02 rev.

Drawn by: M.D.C.

DIMENSIONAL DATA

3-1/4" x 10" - 6" & 7" DIAMETER

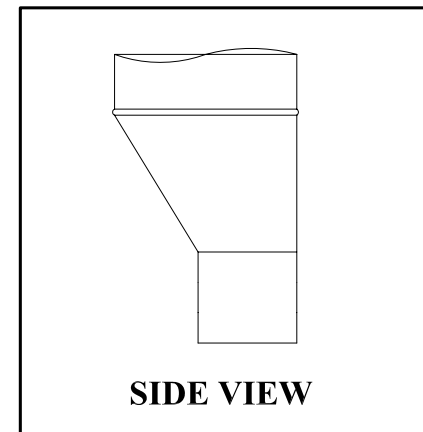
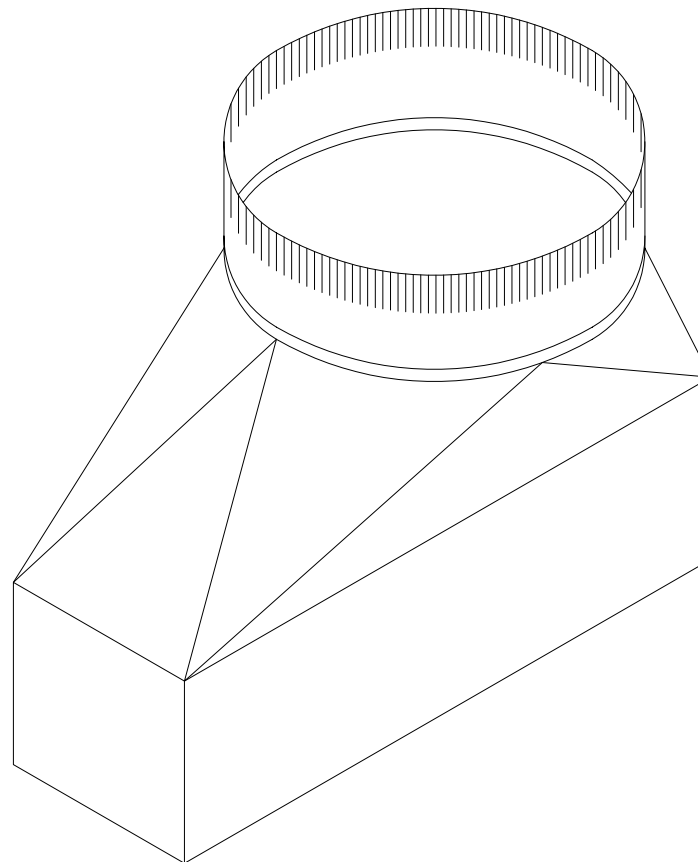
3" STRAIGHT AWAY ON RECTANGULAR END.

FABRICATION DATA

FABRICATED FROM 30 GAUGE GALVANIZED
STEEL OF LOCK FORMING QUALITY PER
ASTM-A653 CS TYPE B.

FEATURES

FLAT ON ONE 10" SIDE.



OPTIONS

OTHER SIZES AND GAUGES AVAILABLE UPON
REQUEST.

SPECIAL NOTES