



6390 Phillips Highway
 Jacksonville, FL 32216
 Phone (904) 737-7144

SPECIFICATION DATA SHEET

MODEL No. 2001

SLOT DIFFUSER PLENUM

Date: 03/19/02 rev.

Drawn by: M.D.C.

DIMENSIONAL DATA

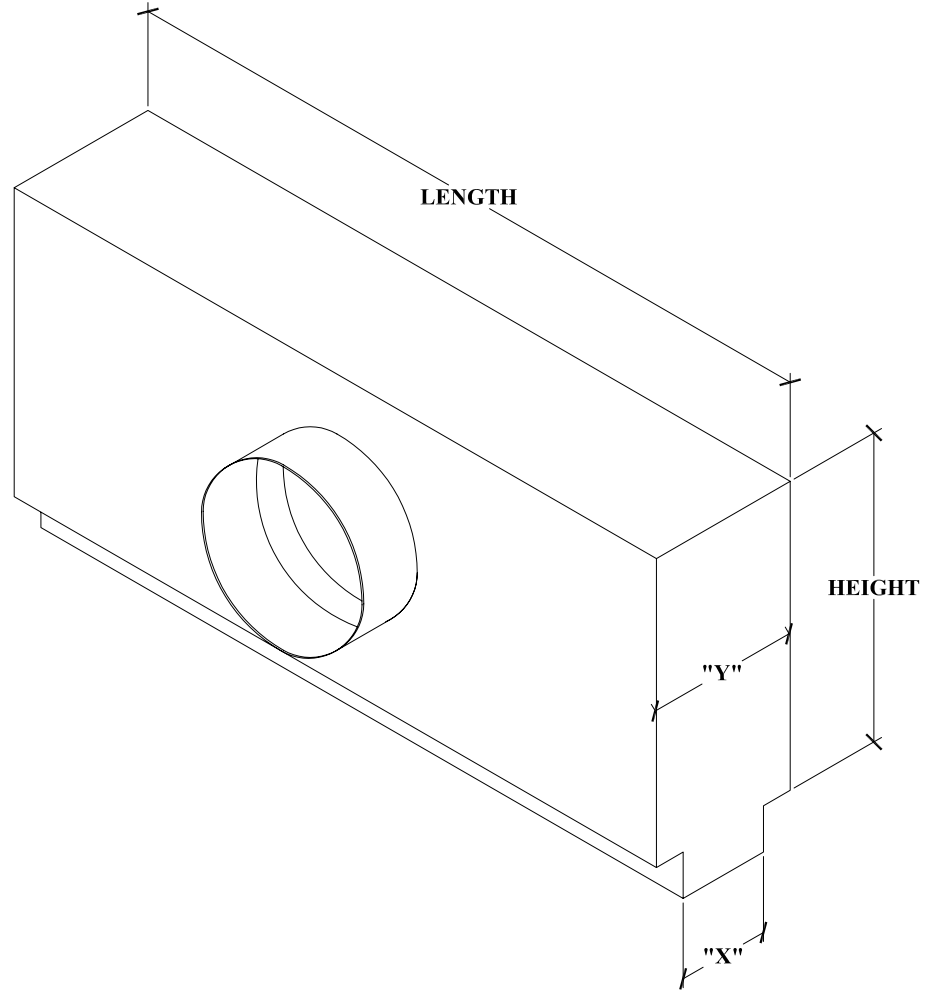
LENGTH: AS REQUIRED
 MAXIMUM 72" PER SECTION
 HEIGHT: 10" STANDARD
 (OTHER UPON REQUEST)
 "X" DIMENSION: AS REQUIRED
 "Y" DIMENSION:
 "X" PLUS 2" WITH R-4 INTERNAL INSULATION
 "X" PLUS 3" WITH R-6 INTERNAL INSULATION
 COLLAR: 2" LONG

FABRICATION DATA

MATERIAL:
 HOT DIPPED GALVANIZED STEEL SHEET
 PER ASTM-A653 CS TYPE B.
 26 GAUGE STANDARD.

FEATURES

END TREATMENTS VARY WITH DIFFUSER
 ATTACHMENT REQUIREMENTS.
 COLLAR SIZES 4" THRU 9" DIAMETER TO BE
 ROUND.
 COLLAR SIZES 10" DIAMETER AND GREATER
 TO BE OVAL.
 1" THICK R-4 INTERNAL INSULATION STANDARD.



OPTIONS

TOP ENTRY COLLAR (SIDE ENTRY COLLAR
 SHOWN)
 NO INTERNAL INSULATION.
 1/2" THICK INTERNAL INSULATION.
 1-1/2" THICK R-6 INTERNAL INSULATION.

SPECIAL NOTES