



6390 Philips Highway
Jacksonville, FL 32216
Phone (904) 737-7144

SPECIFICATION DATA SHEET

MODEL No. 175-XS1

DIAMETERS 4" THROUGH 12"
INLINE ROUND DAMPER SLEEVE WITH
2" DAMPER HANDLE STANDOFF

Date: 10/19/09 rev.

Drawn by: M.D.C.

DIMENSIONAL DATA

SIZES AVAILABLE: 4" THROUGH 12"
LENGTH: 4" THROUGH 7" = 6" LONG
8" THROUGH 12" = 12" LONG

FABRICATION DATA

MATERIAL:
HOT DIPPED GALVANIZED STEEL SHEET
PER ASTM-A653 CS TYPE B.

SLEEVE GAUGES: 4" THROUGH 8" = 28 GAUGE
9" THROUGH 12" = 26 GAUGE

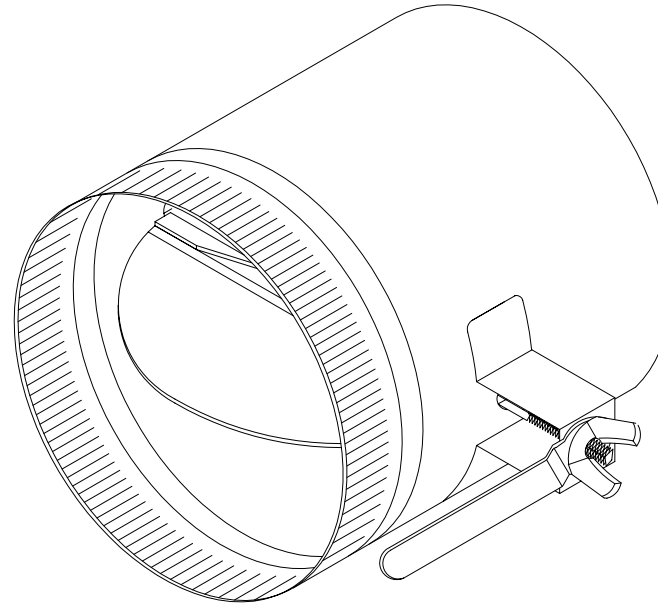
DAMPER GAUGES: 4" THROUGH 12" = 24 GAUGE

FEATURES

CONTINUOUS WELD LONGITUDINAL SEAM FOR
NO AIR LEAKAGE @ 2" W.G. STATIC PRESSURE.

2" DAMPER HANDLE STANDOFF TO ALLOW
CLEARANCE FOR EXTERNAL INSULATION.

SIZES 4" THROUGH 12": REINFORCED DAMPER
AXIS WITH 1/4" REGULATOR, END BEARING
WITH WASHER AND WING NUT.



OPTIONS

No. 175-XS2: ROUND DAMPER SLEEVE WITH 3/8"
CONTINUOUS ROD DAMPER AXIS AND 2"
DAMPER HANDLE STANDOFF.

SPECIAL NOTES

MADE TO MEET S.M.A.C.N.A. GAUGE STANDARDS. MAXIMUM 2" W.G. STATIC PRESSURE SCHEDULE.
(S.M.A.C.N.A. HVAC DUCT CONSTRUCTION STANDARDS, SECOND EDITION-1995)