



6390 Philips Highway
 Jacksonville, FL 32216
 Phone (904) 737-7144

SPECIFICATION DATA SHEET

MODEL No. 1713

Date: 10-21-03 Drawn by: DON.JR.

TRUNK LINE REDUCER BOX
 R-4.2 DUCT BOARD

DIMENSIONAL DATA

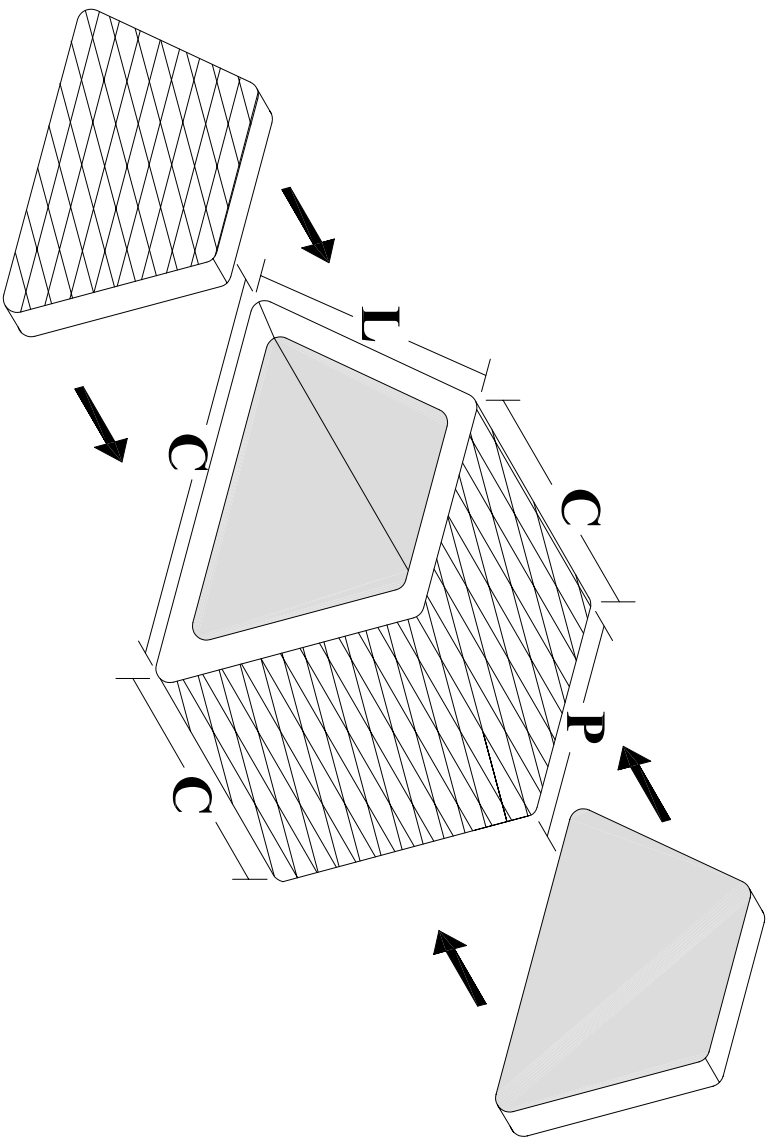
INLET COLLAR DIAMETER	"C" DIMEN. O.D.	"P" DIMEN. O.D.	"L" DIMEN. O.D.
9"	12"	10"	11"
10"	13"	11"	11"
12"	15"	13"	12"
14"	17"	15"	12"
16"	19"	17"	12"

FABRICATION DATA

CUT AND SCORED FROM R-4.2 DUCT BOARD

FEATURES

SHIPPED KNOCKED-DOWN AND SHRINK WRAPPED:
 3 PIECES, WRAPPER AND 2 ENDS.



OPTIONS

No. 1713-FL TRIANGLE TERMINAL BOX
 R-6 DUCT BOARD.

SPECIAL NOTES

CONTRACTOR ASSEMBLES THE BOX AND TAPES THE EDGES.