



6390 Phillips Highway
Jacksonville, FL 32216
Phone (904) 737-7144

SPECIFICATION DATA SHEET

MODEL No. 1580

INSULATED REGISTER BOX

Date: 11/14/02 rev.

Drawn by: M.D.C.

DIMENSIONAL DATA

4-1/2" HIGH FRAMED BOX

3" LONG COLLAR WITH CONVEX BEAD

OUTER BOX DIMENSION IS 3" GREATER THAN REGISTER DIMENSION.

FABRICATION DATA

FABRICATED FROM 30 GAUGE GALVANIZED STEEL.

INTERNALLY INSULATED WITH R-6 INSULATION.

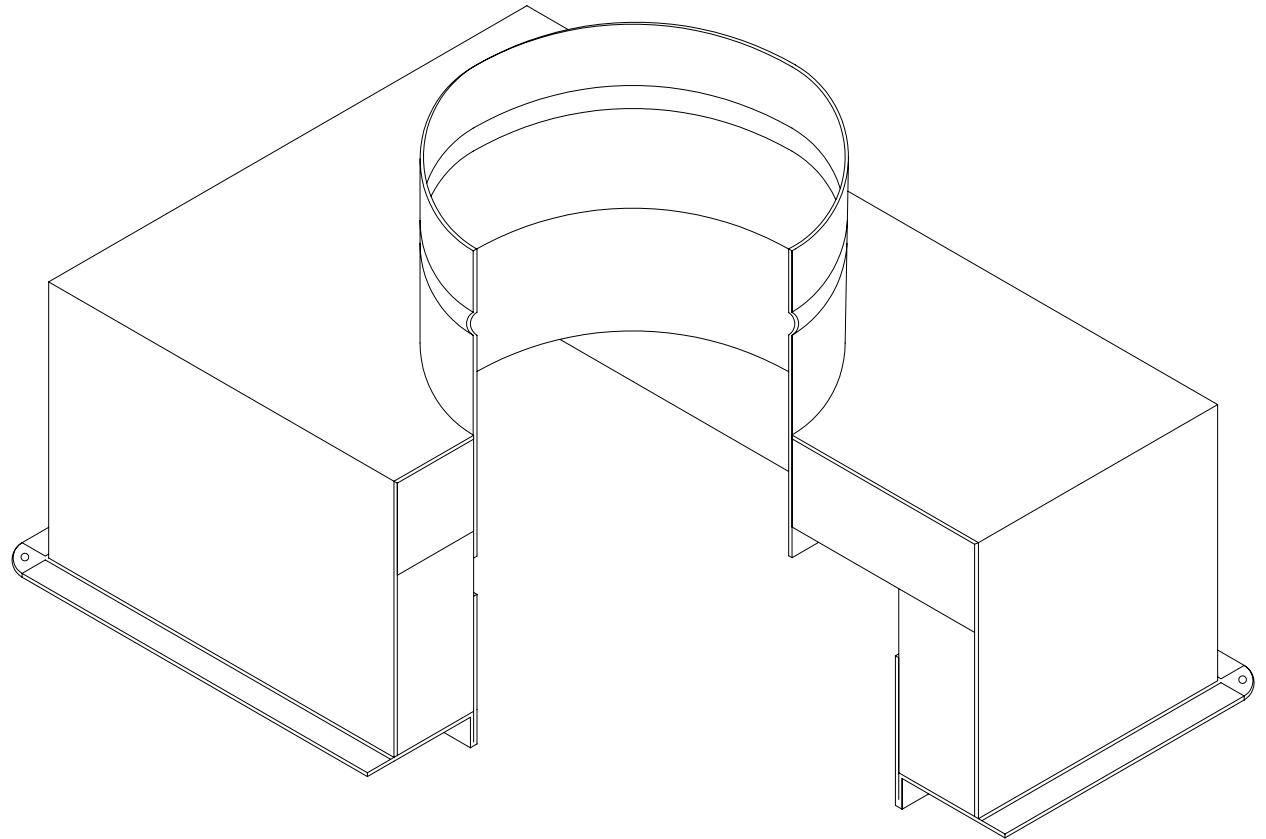
FEATURES

BLACK INTERIOR

SOLID CORNERS WITH HANGER HOLES.

1/2" DRYWALL FLANGE.

5 HOLE CLUSTER FOR REGISTER ATTACHMENT.



OPTIONS

No. 1575 INSULATED REGISTER BOX, R-6
INTERNAL INSULATION, NO FIBER GLASS
EXPOSED TO THE AIR STREAM.

SPECIAL NOTES

INTERNAL INSULATION USED MEETS THE REQUIREMENTS OF ASTM C 1338 (FORMERLY ASTM C 665)
STANDARD TEST FOR FUNGI RESISTANCE.