



6390 Phillips Highway
 Jacksonville, FL 32216
 Phone (904) 737-7144

SPECIFICATION DATA SHEET

MODEL No. 1298

SLANTED DUCT BOARD BOX, R-4.2

Date: 5/27/03 rev.

Drawn by: DON.JR.

DIMENSIONAL DATA

OUTER BOX DIMENSION IS 2" GREATER THAN REGISTER DIMENSION.

REGISTER DIMENSION	"A" DIMENSION
8"x4", 10"x4", 12"x4", 14"x4"	6-1/2"
6"x6", 8"x6", 10"x6", 12"x6", 14"x6"	8"
8"x8", 10"x8", 12"x8", 14"x8"	9-1/2"
10"x10", 12"x10"	11"
12"x12"	12-1/2"
14"x14"	14"

FABRICATION DATA

OUTER FRAME FABRICATED FROM 30 GAUGE GALVANIZED STEEL.

DUCT BOARD TOP AND SIDES.

FEATURES

R-4.2 INSULATION.

SOLID CORNERS WITH HANGER HOLES.

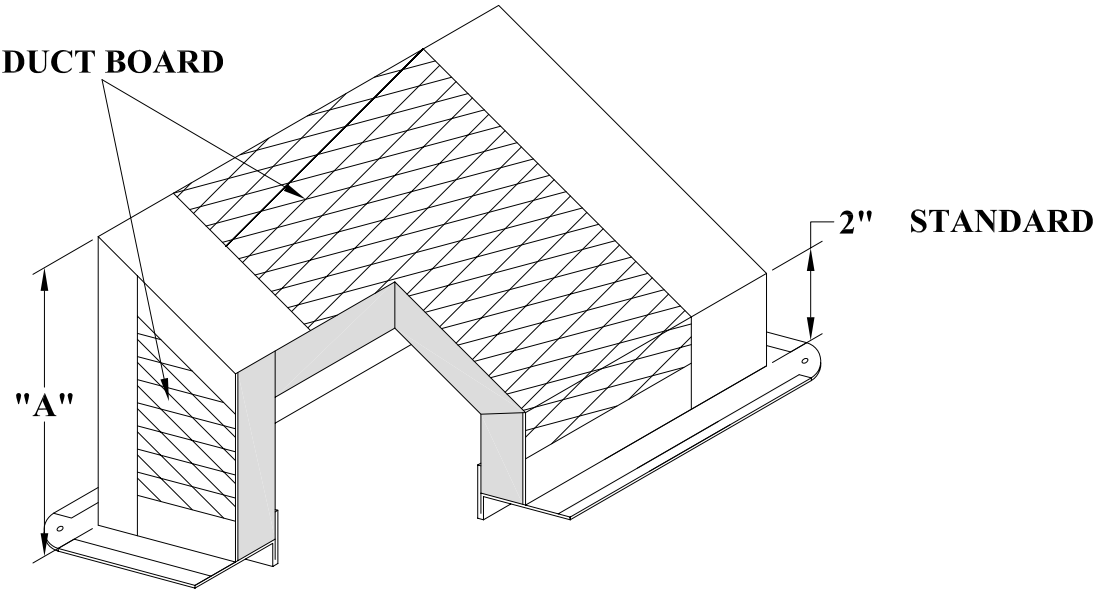
1/2" DRYWALL FLANGE.

HOLE CLUSTER FOR REGISTER ATTACHMENT.

SLANTED DUCT BOARD TOP ALLOWS FOR VARIOUS COLLAR INLET SIZES.

BLACK INTERIOR.

DUCT BOARD



OPTIONS

No. 1298-FL SLANTED DUCT BOARD BOX, R-6.0 INSULATION, BLACK INTERIOR.

SPECIAL NOTES

INTERNAL INSULATION USED MEETS THE REQUIREMENTS OF ASTM C 1338 (FORMERLY ASTM C 665) STANDARD TEST METHOD FOR FUNGI RESISTANCE.