



6390 Phillips Highway  
Jacksonville, FL 32216  
Phone (904) 737-7144

### SPECIFICATION DATA SHEET

## MODEL No. 1242-FL

FRAMED R-6.0 INSULATED BOOT

Date: 03/07/05

Drawn by: DON. JR.

#### DIMENSIONAL DATA

OUTER BOX DIMENSION IS 3" GREATER THAN REGISTER DIMENSION.

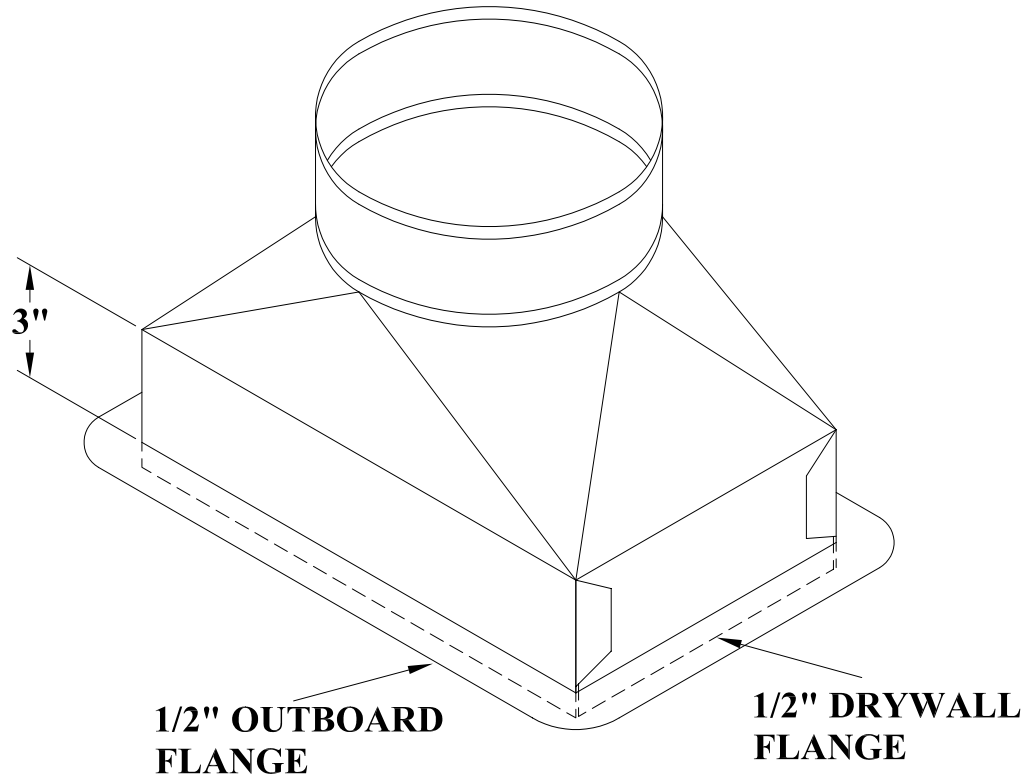
#### FABRICATION DATA

MATERIAL:  
30 GAUGE GALVANIZED STEEL SHEET PER  
ASTM A653 CS TYPE B.

INTERNALLY INSULATED WITH R-6.0 INSULATION.

#### FEATURES

3" STRAIGHT AWAY ON RECTANGULAR END.  
ROUND COLLAR HAS HEMMED EDGE.  
SOLID CORNERS WITH HANGER HOLES.  
1/2" DRYWALL FLANGE.  
HOLE CLUSTER FOR REGISTER ATTACHMENT.  
BLACK INTERIOR.



#### OPTIONS

No. 1242 FRAMED INSULATED BOOT, R-4.2  
INSULATION, BLACK INTERIOR.

#### SPECIAL NOTES

INTERNAL INSULATION USED MEETS THE REQUIREMENTS OF ASTM C 1338 (FORMERLY ASTM C 665)  
STANDARD TEST METHOD FOR FUNGI RESISTANCE.