



6390 Phillips Highway
 Jacksonville, FL 32216
 Phone (904) 737-7144

SPECIFICATION DATA SHEET

MODEL No. 111

ADJUSTABLE 90 DEGREE ELBOW

Date: 06/25/03 rev.

Drawn by: M.D.C.

DIMENSIONAL DATA

SIZES AVAILABLE: 3" THROUGH 30" DIAMETER

DIAMETER	THROAT	DIAMETER	THROAT
3"	2-1/2"	14"	3"
4"	3"	16"	3"
5"	3"	18"	4"
6"	3"	20"	4"
7"	3"	22"	6"
8"	4"	24"	6"
9"	3-1/2"	26"	6-1/2"
10"	3"	28"	7"
12"	4"	30"	7"

FABRICATION DATA

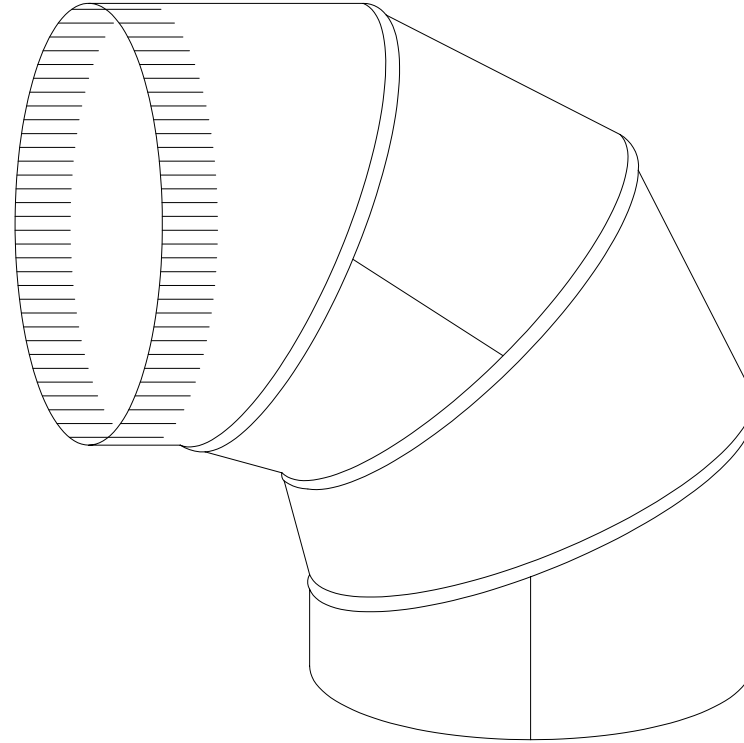
MATERIAL: GALVANIZED STEEL SHEET OF LOCK FORMING QUALITY PER ASTM-A653 CS TYPE B.

DIAMETER	GAUGES AVAILABLE
3"	30 and 28
4"	30, 28, 26
5" - 9"	30, 28, 26, 24
10"	30, 28, 26, 24, 22
12" - 14"	28, 26, 24, 22
16" - 20"	26, 24, 22
22" - 30"	22

FEATURES

TRANSVERSE CONNECTIONS:
 CRIMPED MALE CONNECTION
 STRAIGHT FEMALE CONNECTION

CONSTRUCTION:
 3" THROUGH 20" DIAMETER = 4 PIECE ASSEMBLY
 22" THROUGH 30" DIAMETER = 5 PIECE ASSEMBLY



OPTIONS

ALUMINUM AND STAINLESS STEEL ELBOWS ARE AVAILABLE IN VARIOUS GAUGES AND DIAMETERS.

SPECIAL NOTES